

ტრანსპორტი და  
მანქანათმშენებლობა  
TRANSPORT AND  
MACHINEBUILDING

ISSN 1512-3537

N3 (58) 2023

სამეცნიერო-ტექნიკური  
ჟურნალი

თბილისი



საქართველოს ტექნიკური უნივერსიტეტი  
სატრანსპორტო სისტემებისა და მექანიკის ინჟინერიის ფაკულტეტი

ISSN 1512-3537

DOI: <https://doi.org/10.36073/1512-3537>

# ტრანსპორტი და მანქანათმშენებლობა

№3 (58) 2023

სასწავლო-მეთოდური და სამეცნიერო-კვლევითი  
ნაშრომების კრებული

ჟურნალი რეგისტრირებულია Google scholar-ში

ჟურნალი რეფერირდება ქრე-ში „ქართული რეფერატული  
ჟურნალი“



გამომცემლობა „ტრანსპორტი & მანქანათმშენებლობა“  
თბილისი  
2023

ტრანსპორტი და მანქანათმშენებლობა  
TRANSPORT AND MACHINEBUILDING  
ТРАНСПОРТ И МАШИНОСТРОЕНИЕ

სარედაქციო კოლეგია

პროფ. ბორის გიტოლენდია (მთავარი რედაქტორი); პროფ. ლავრენტი გუდავაძე (მთავარი რედაქტორის მოადგილე); პროფ. თეა ბარამაშვილი (ტექნიკური რედაქტორი); პროფ. გიორგი აბრამიშვილი; პროფ. დავით თავხელიძე; პროფ. თამაზ ნატრიაშვილი; პროფ. თამაზ მორჩაძე; პროფ. გიზო ფარცხალაძე; პროფ. ალექსანდერ სლადკოვსკი (პოლონეთი); პროფ. გეორგი ტობტარი (უკრაინა); პროფ. მიხაილ ბენ ხაიმ (ისრაელი); პროფ. კოლინ რიგბი (დიდი ბრიტანეთი); პროფ. მიროსლავ ბონეკი (პოლონეთი); პროფ. ასენ ასენოვი (ბულგარეთი); პროფ. ნია ნატბილაძე; პროფ. გივი გოლეთიანი; პროფ. რაულ თურმანიძე; პროფ. ნანა ნოზაძე; პროფ. ზაურ ჩიტძე; პროფ. გოდერძი ტკეშელაშვილი; პროფ. ჯუმბერ იოსებიძე; პროფ. ავთანდილ შარვაშიძე; პროფ. მანანა თალაკვაძე; პროფ. ნათია ბუთხუზი; პროფ. ზურაბ რურუა; პროფ. ზურაბ ბოგველიშვილი; პროფ. დავით ძაძუანიძე; პროფ. თამარ კილაძე; ასოც. პროფ. ვალერი ჯაჯანიძე; ასოც. პროფ. რამაზი ტყემალაძე.

EDITORIAL BOARD

Prof. Boris Gitolendia (editor-in-chief); Prof. Lavrenti Gudavadze (deputy editor-in-chief); Prof. Tea Baramashvili (Technical Editor); Prof. Giorgi Abramishvili; Prof. Davit Tavkheldze; Prof. Tamaz Natriashvili; Prof. Tamaz Morchadze; Prof. Gizo Fartskhaladze; Prof. Aleksander Sladkovski (Poland); Prof. George Tokhtar (Ukraine); Prof. Michail Ben Chaim (Israel); Prof. Kolin Rigbi (Great Britain); Prof. Mirosław Boneki (Poland); Prof. Asen Asenovi (Bulgaria); Prof. Nia Natbiladze; Prof. Givi Goletiani; Prof. Raul Turmanidze; Prof. Nana Nozadze; Prof. Zaur Chitidze; Prof. Goderdzi Tkeshelashvili; Prof. Jumber Iosebidge; Prof. Avtandil Sharvashidze; Prof. Manana Talakbadze; Prof. Natia Butkhuzi; Prof. Nugzar Rurua; Prof. Zurab Bogvelishvili; Prof. David Dzotsenidze; Prof. Tamar Kiladze; Assoc. Prof. Valeri Jajanidze; Assoc. Prof. Ramazi Tkemaladze.

РЕДАКЦИОННАЯ КОЛЛЕГИЯ

Проф. Борис Гитолендия (главный редактор); Проф. Лавренти Гудавадзе (зам. главного редактора); Проф. Теа Барамашвили (Технический редактор); Проф. Гиорги Абрамишвили; Проф. Давит Тавхелидзе; Проф. Тамаз Натриашвили; Проф. Тамаз Морчадзе; Проф. Гизо Фарцхаладзе; Проф. Александер Сладковски (Польша); Проф. Георг Тохтар (Украина); Проф. Михаил Бен-Хаим (Израиль); Проф. Колин Ригби (Великобритания); Проф. Мирослав Бонеки (Польша); Проф. Асен Асенови (Булгария); Проф. Ниа Натбиладзе; Проф. Гиви Голетиани; Проф. Раул Турманидзе; Проф. Нана Нозадзе; Проф. Заур Читидзе; Проф. Годердзи Ткешелашвили; Проф. Джумбер Иосебидзе; Проф. Автандил Шарвашидзе; Проф. Манана Талакбадзе; Проф. Натиа Бутхузи; Проф. Нугзар Руруа; Проф. Зураб Богвелишвили; Проф. Давид Дзотсенидзе; Проф. Тамар Киладзе; Асоц. Проф. Валери Джаджанидзе; Асоц. Проф. Рамази Ткемаладзе.

ტექნიკური რედაქტორი: პროფ. თეა ბარამაშვილი

Technical editor: Prof. Tea Baramashvili

Технический редактор: Проф. Теа Барамашвили

რედაქციის მისამართი: თბილისი, მ. კოსტავას ქ. №71, I კორპუსი, ოთახი №710

Address of the editorial office: Tbilisi, M. Kostava Str. №71, I корпус, room №710

Адрес редакции: Тбилиси, М. Костава ул. №71, I корпус, комната №710; Tel: +995 551 611 611

ჟურნალი განთავსებულია ინტერნეტში შემდეგ მისამართებზე:

- ჟურნალის ვებ გვერდი  
[www.journaltm.gtu.ge](http://www.journaltm.gtu.ge)
- საქართველოს ტექნიკური უნივერსიტეტი - ცენტრალური ბიბლიოთეკა  
[https://gtu.ge/Library/transp\\_jur/](https://gtu.ge/Library/transp_jur/)
- საქართველოს ტექნიკური უნივერსიტეტი - სატრანსპორტო სისტემებისა და მექანიკის ინჟინერიის ფაკულტეტი  
<https://gtu.ge/stmm/research/journals/journal1.php>
- ციფრული ბიბლიოთეკა "ივერიელი" (საქართველოს პარლამენტის ეროვნული ბიბლიოთეკა)  
<http://dspace.nplg.gov.ge/handle/1234/248720>
- ქართული რეფერატული ჟურნალი (ქრე)  
<https://techinformi.ge/ge/?page=footer/qrj>

შინაარსი

**I. ტრანსპორტი/Transport/Транспорт**

1. Improvement of tribological properties of the friction surfaces based on the properties and degree of destruction of the third body Giorgi G. Tumanishvili .....	5
2. ტექნიკურად მზადყოფნის კოეფიციენტის გავლენა ლოგისტიკური სისტემის ეფექტურობაზე დიმიტრი ბალახაძე .....	17
3. მძღოლთა შრომისა და დასვენების რეჟიმების უზრუნველყოფა შიდა და ადგილობრივი რეგულარული სამგზავრო გადაყვანების დროს ელიზბარ დარჩიაშვილი, ხათუნა მღებრიშვილი .....	23
4. საგზაო პირობების გავლენა ავტომობილების მიერ სათბურის გაზების გამოყოფაზე კონსტანტინე მჭედლიშვილი, ცოტნე გოროზია .....	29
5. სარკინიგზო ავტომატიკის და ტელემექანიკის სისტემებში საისრე ელექტროამძრავების მართვისას სამფაზა ინვერტორების მუშაობის განსაკუთრებული თვისებები მერაბ ჩალაძე, მურთაზ პაპასკირი, პაპუნა ელიზბარაშვილი, მირიან ცოცხალაშვილი, გიორგი ცხომელიძე .....	37
6. Мониторинг технологического процесса на железнодорожном транспорте Квачадзе Нино, Чаладзе Мераб, Абашидзе Николоз .....	43

**II. სამრეწველო ინჟინერია/Industrial Engineering/ Промышленная инженерия**

7. ახალი ტექნიკური მიდგომები შამპანურის და ცქრიალა ღვინის ბოთლის ჩაჩის წარმოების პროცესში სახარჯი მასალების მოხმარების ეფექტიანობის ასამაღლებლად თეა ბარამაშვილი, მალხაზ ცუცქერიძე .....	47
8. ჰომოთეტიის საფუძველზე მექანიზმის კონსტრუირების შესაძლებლობები ირინე უგრეხელიძე, ნანა ბაქრაძე, გიგა კვეტენაძე .....	53
9. ოფსეტური ბექედვის ტექნოლოგია - უპირატესობები და უარყოფითი მხარეები ირინე უგრეხელიძე .....	57

**III. ტრანსპორტის და მანქანათმშენებლობის მენეჯმენტი/ Transport and Mechanical Engineering Management/Транспорт и машиностроение равление**

10. ინოვაციური სტრატეგიის არჩევა ქეთევან კიწმარიშვილი .....	61
11. ინოვაციური როლი ეკონომიკაში ქეთევან კიწმარიშვილი .....	66

12. ტექნოლოგიური ინოვაციების გავლენა განვითარებაზე ქეთევან კიწმარიშვილი .....	71
13. ავტორთა საყურადღებოდ .....	75

# Improvement of tribological properties of the friction surfaces based on the properties and degree of destruction of the third body

Giorgi G. Tumanishvili\*

\*Doctoral student, Georgian Technical University, E-mail: ge.tumanishvili@gmail.com

(R. Dvali Institute of Machine Mechanics, Georgia, 0186, Tbilisi,  
E. mindeli st. 10)

**Abstract:** *Provision of the friction surfaces with sustainable operational properties represents a fundamental problem of machines. Our researches have shown that this can be achieved by separation of the interacting surfaces from each other by continuous (or discontinuous at discrete points and restorable) third body with due properties. This is a necessary condition for avoiding their seizure and other non-desirable phenomena. The friction coefficient of the interacting surfaces, their wear rate, vibrations, noise, energy consumed, expenses for prevention and repair, etc., mainly depend on the total area of the said surfaces being in direct interaction. This was ascertained visually according to damages generated at destruction of seized surfaces in places of destruction of the third body, by variation of the friction torque on the oscillogram and parameters of vibrations and noise as well. The main factors affecting destruction of the third body are tribological properties of the third body, power and thermal loads of the contact zone, time of direct contact of the surfaces, etc. Thus, operational properties of the friction surfaces mainly depend on degree of destruction of the third body and tendency of the surfaces to seizure. For the heavily loaded frictional contact zone of it interacting surfaces, simultaneous proceeding of various-scale processes is typical. Theoretical basis for formation of the oil layer in the contact zone and macro-scale processes of its destruction is a system of equations of elasto-hydro dynamical theory of lubrication. However, properties and stability of the boundary layers, especially for the modern lubricants, are based on the results of multi-disciplinary researches carried out mainly in the sphere of physics and chemistry, which have not yet the form acceptable for the use in engineering. Our researches have shown that at existence of continuous or discontinuous at discrete points and restorable third body in the contact zone, its tribological properties are stable and predictable in the laboratory conditions. To improve the tribological properties of wheels and rails, we developed new ecological friction modifiers and tested them in the laboratory conditions. A condition of destruction of the third body was also developed, which contains kinematic, power and thermo-physical parameters influencing its formation and destruction, and where the tribological properties and stability of the boundary layers are described by the coefficients ascertained as a result of experimental researches.*

**Keywords:** wheel, rail, third body, friction modifier, interacting surfaces.

## Introduction

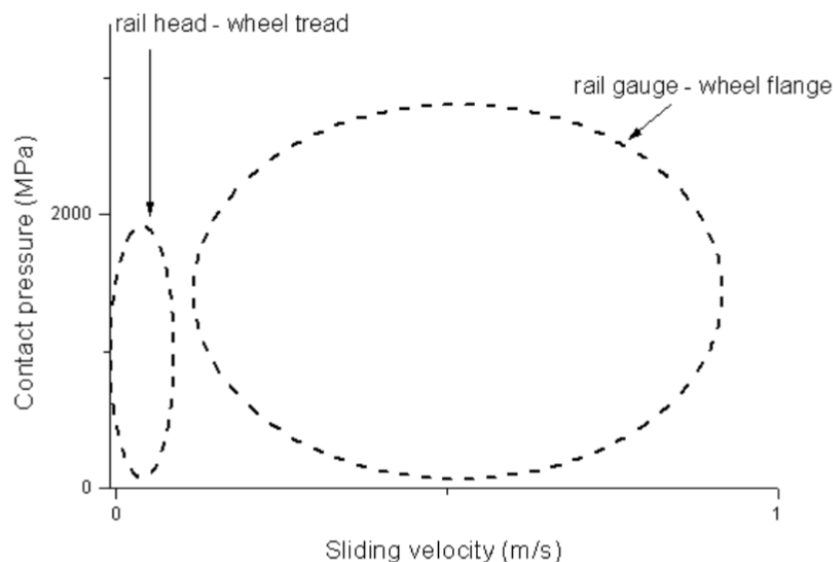
The heavy loaded frictional surfaces are considered among the most vulnerable elements of machines. At modeling of the their interaction, usually a friction coefficient is considered as



a constant and known value. However, the results of many experimental researches show that in the contact zone it varies in the range 0.01-0.8 and it is influenced by many factors not all of them being known. This can become the reason of various unjustified decisions. For example, decrease of the distance between rails by 4 mm (at unchanged distance between wheels) in the former Soviet Union in 1970-1980. lubrication of the wheel and rail tread surfaces and the wheel flange root (that plays the role of both, the tread and steering surfaces); consideration of insufficient quantity of parameters at selection of the train movement mode, etc. All this is the reason of various negative phenomena.

Various analytical, numerical and experimental methods can be used for computing the contact parameters between the rail and wheel. The most common one for normally loaded contacts is the well-known theory of Hertz, which however, has some limitations. Besides this theory, there are several numerical and experimental analyses available for both, normal and tangential tractions. An overview summarizing the most important methods was made by Iwnicki et al. [1], according which contact conditions can be divided into two large groups: normally loaded contacts and tangentially loaded contacts. The wheel–rail contact is generally divided into two types of contacts, wheel tread–rail head contact along straight track and wheel flange–rail corner contact along the high rail in the curves. Olofsson and Telliskivi found that a change in the wear regime occurred, when transitioning from a wheel tread–rail head contact along straight track to the wheel flange–rail corner contact in the curves [2].

Previously collected wear data are not, however, representative (specific) for the wheel flange–rail corner contact [3]. Lewis and Olofsson’s [4] representation of the operating conditions in a wheel tread–rail head contact and a wheel flange–gauge corner contact is shown in Figure 1.



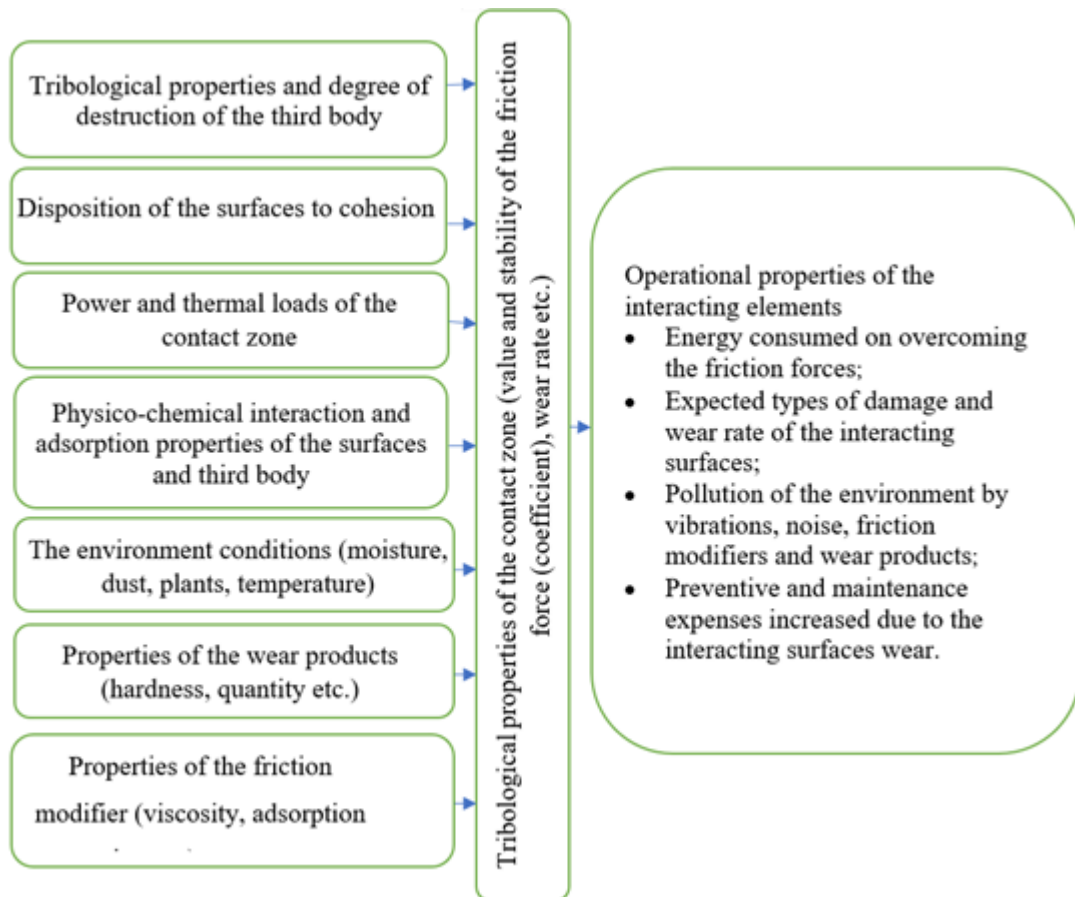
**Fig. 1. A sliding velocity – contact pressure chart representing the contact conditions in a wheel – rail contact. The elliptical areas indicate regions where wheel tread – rail head and wheel flange – rail corner contacts typically occur**

As the contact changes from a wheel tread–rail head contact to a wheel–flange contact, both contact pressure and sliding velocity increase significantly, according to in-field studies of wheels running on both straight and curved tracks. In extreme cases, such as the leading wheel pair in a narrow curve, heavy acceleration, or heavy braking, the sliding velocity can increase to the levels above 1 m/s.

In highly loaded contacts such as the wheel–rail contact, lubricants containing extreme-pressure (EP) additives are often used to prevent seizure [5]. The role of additives in a lubricant is to form a chemically reacted surface layer on the contacting bodies. This protective layer can increase the wear resistance and prevent the occurrence of seizure. Dizdar suggests that pre-heating the oil-covered components can cause the formation of these chemically reacted surface layers before contact [6].

### Prediction of tribological properties of the contact zone

One of the main reasons of derailment, wear of the wheels, rails, brake shoes and other elements, pollution of the environment by vibrations, noise and wear products, increased energy consumed on traction, are tribological processes occurring in the contact zone. Control of these processes can reduce the noted non-desirable phenomena to a minimum. The researches have shown qualitative interdependence of these parameters that implies prediction of qualitative change of other parameters by variation one of these parameters. In Fig.2 are shown the parameters acting on the tribological processes proceeding in the contact zone and operational properties of the contact zone.



*Fig.2. The parameters acting on the tribological processes proceeding in the contact zone and operational properties of the contact zone*

Usually, the surfaces are covered with various types of natural and artificial coatings, which represent the components of the third body in the contact zone of the interacting surfaces. These surfaces are subjected to heavy power and thermal loads. This causes deformations of these coatings, their destruction, activation of the physical and chemical processes proceeding between them and the surfaces and generation of new coatings. Thus, during interaction of the



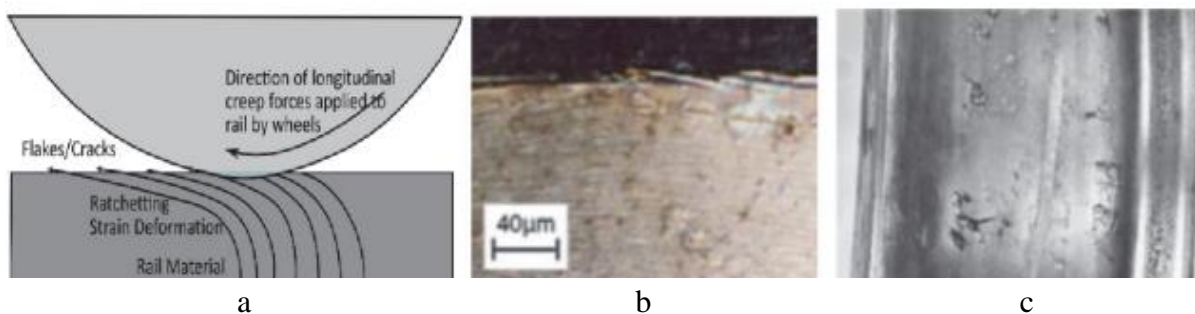
surfaces, the processes of the third body destruction and restoration takes place in the contact zone continuously.

The material under the action of shear stress is deformed, which causes creep in the contact zone. Creep rate, magnitude, resistance to deformation, temperature, etc. are interrelated factors that affect the formation and destruction of the third body, seizure, scuffing and other negative phenomena.

Besides, operational safety of machines, efficiency, preventive and maintenance expenses, ecological compatibility etc., greatly depend on tribological properties of heavily loaded interacting surfaces of machines. Therefore, prediction and control of tribological properties of such interacting surfaces is topical.

Displacement of the coupled places of surfaces relative to each other causes sharp increase of the shear stresses and corresponding deformations, value and instability of the friction forces and rupture of the coupled places. It is possible in this case transfer of the pulled out material from on surface on the other, sharp change of roughness of these surfaces and development of the process of catastrophic wear – scuffing.

The shear deformation generated on the surface sharply decreases towards the depth and multiple repetition of such processes results in superficial plastic deformations, lamination and fatigue damage (Figure 2) [7, 8] In such conditions the scales of destruction and the dominant kind of damage depends on the working conditions.



**Fig. 3. The scheme of the surface plastic deformation (a); appearance of cracks and lamination (b); appearance of fatigue pits (c)**

Thus, roughness of the surfaces of heavy loaded friction contact differs from their initial roughness and depends on the working mode. For provision of the due tribological properties of interacting surfaces, their separation from each other by the continuous third body with appropriate tribological properties is necessary.

The friction forces between interacting surfaces (at lack of the third body in the places of actual contact) depend on the total area of the actual contacts  $F_f = \psi(P\tau A_{asp})$  [9]. Where  $\tau$  is effective strength on shear of the actual contact area of interacting surfaces;  $A_{asp}$  – seizure area of the actual contact that depends on the thermal load of the contact zone, thickness of the heated up layer, properties of the surfaces and environment of individual micro-asperities etc.

Hence, the friction forces depend on the contact area in both cases, when the third body separates the surfaces from each other fully or partially.

It should be noted that various types of surface damage take place simultaneously and proceed with various intensity and a dominant type of damage is ascertained visually. The experimental researches have shown that damage intensity and type, of interacting surfaces are especially sensitive to the relative sliding velocity and shear stresses. Thereat, at low total and

relative sliding velocities of the surfaces, when power of the thermal action, velocity and resistance of the shear deformation in the contact zone are comparatively small, stability of the third body and its resistance to seizure are high and a main type of damage is fatigue wear [10]. With increase of the total and relative sliding velocities of surfaces, thermal load of the actual contact zone and destruction intensity of the third body increases. However, time of action of this load, thickness of the heated up layer and sizes of micro-asperities generated because of the scuffing and subsequent rupture of the seized places, decrease.

### Sliding distance (friction path) of wheels at zigzag movement of the wheelset

The wear rate of the wheels and rails is considered as one of the fundamental problems of the railway transport. In general, wear rate is calculated by the formula  $I=h/s$ , where  $h$  is depth of the wear and  $s$  is sliding distance (friction path). Friction path of wheels depends on the value of creep and zigzag movement of the wheelsets. There are many works about influence of the creep on the wear rate. Below is determined a friction path of wheels at zigzag movement of the wheelset.

It is known that at movement of trains in the straight segments, because of conicity of the wheel profiles, the wheelsets perform periodic lateral displacements, so called “hunting” oscillations. To predict and control wear of wheels in this case, we will determine the friction path of the wheelset wheels in this paper.

We will consider new standard wheelset with the diameter of the rolling circumference  $D=957$  mm (radius  $R=D/2=478.5$  mm) and slope of the profile  $n=\tan \alpha = \frac{1}{20} = 0.05$  as well as the same wheelset worn-out by 7 mm. For solution of the problem, we will use the graphs of periodic lateral displacements of the wheelset and the axle yaw with the data: amplitude – for new wheelset  $y_0 = 0.295'' = 7.5$  mm, for worn-out one  $y_0 = 0.885'' = 22.5$  mm; wave length - for new wheelset  $\lambda=53'' = 1615,44$  cm, for worn-out one  $\lambda=20'' = 609.6$  cm, given in the work [11].

Consider half of the wave length from the point O, where amplitude is zero (Fig.4), or both wheels are in contact with the rail in the rolling plane.

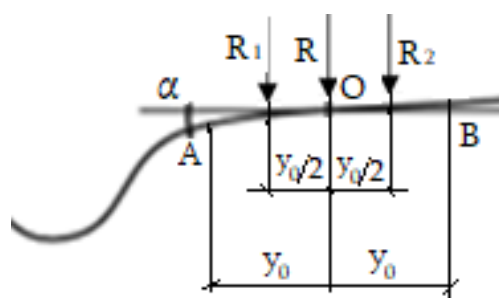


Fig. 4. Main elements of a wheel profile

During the half of the wave length, contact point for the first, outer wheel moves along the profile O-A-O and contact point for the second, inner wheel moves along the profile O-B-O, at which the effective radii of the outer and inner wheels are variable. We replace them by the average constant radii  $R_1$  and  $R_2$ , whose corresponding circumferences will roll the same distances:

$$R_1 = R + \frac{y_0}{2}n = 478.5 + \frac{7.5}{2} \cdot 0.05 = 478.69 \text{ mm}; \quad (1)$$

$$R_2 = R - \frac{Y_0}{2}n = 478.5 - \frac{7.5}{2} \cdot 0.05 = 478.31 \text{ mm}; \quad (2)$$

During the second half of the wave length the wheels exchange the roles, the first one will be inner and the second – outer wheel, and so on.

Determine number of revolutions  $k$  needed for the circumference with radius  $R_1$  to roll over the half of the wave length:

$$S_1 = k2\pi R_1 = \lambda/2 = 16154.4/2 = 8077.2 \text{ mm}, \quad (3)$$

from where

$$k = \frac{8077.2}{2\pi R_1} = \frac{8077.2}{2 \times 3.14 \times 478.69} = 2.685 \text{ rev.} \quad (4)$$

The second wheel, having the same number of revolutions will roll over the distance

$$S_2 = k2\pi R_2 = 2.685 \times 2 \times 3.14 \times 478.31 = 8069.3 \text{ mm} \quad (5)$$

and the sliding distance will be

$$S = S_1 - S_2 = 8077.2 - 8069.3 = 7.9 \text{ mm.} \quad (6)$$

Maximum value of the axle yaw may be found by the formula [1]:

$$Q_{max}^0 = \sin^{-1} \left( \frac{2y_0}{R + ny_0} \right) = \sin^{-1} \left( \frac{2 \times 7.5}{478.5 + 0.05 \times 7.5} \right) = 1.795^0;$$

At rotation of the wheelset axle by this angle the contact points of both wheels will slide on the rail by the distance

$$T = 2dQ_{max} = 2dQ_{max}^0 \frac{\pi}{180^0} = 2 \times 10 \times 1.795^0 \frac{3.14}{180^0} = 0.63 \text{ mm.} \quad (7)$$

where  $d=10$  mm is the diameter of the contact spot.

Thus, friction path of both wheels for half of the wave length will be

$$F_{1/2wl} = S + T = 7.9 + 0.63 = 8.53 \text{ mm}, \quad (8)$$

and friction path of each wheel of the wheelset for distance of 1 km is

$$F_{1km} = F_{1/2wl} \frac{1000}{2\lambda/2} = 8.53 \frac{1000}{2 \times 16.1544/2} = 528.03 \text{ mm.} \quad (9)$$

We consider now the same wheelset, worn-out by 7 mm with the slope of profile  $n=0.34$ , radius of the rolling circumference and the average constant radii of which will be

$$R = 478.5 - 7 = 471.5 \text{ mm};$$

$$R_1 = R + \frac{Y_0}{2}n = 471.5 + \frac{22.5}{2} \cdot 0.34 = 475.32 \text{ mm}; \quad (10)$$

$$R_2 = R - \frac{Y_0}{2}n = 471.5 - \frac{22.5}{2} \cdot 0.34 = 467.67 \text{ mm};$$

To determine required number of revolutions  $k$  we write by analogy

$$S_1 = k2\pi R_1 = \lambda/2 = 6096/2 = 3048 \text{ mm}, \quad (11)$$

from where

$$k = \frac{3048}{2\pi R_1} = \frac{3048}{2 \times 3.14 \times 475.32} = 1.02 \text{ rev.} \quad (12)$$

The distance rolled by the second wheel

$$S_2 = k2\pi R_2 = 1.02 \times 2 \times 3.14 \times 467.67 = 2997.22 \text{ mm} \quad (13)$$

and the sliding distance

$$S = S_1 - S_2 = 3048 - 2997.22 = 50.78 \text{ mm.} \quad (14)$$

The axle yaw will be

$$Q_{max}^0 = \sin^{-1} \left( \frac{2y_0}{R+ny_0} \right) = \sin^{-1} \left( \frac{2 \times 22.5}{471.5 + 0.34 \times 22.5} \right) = 5.389^0. \quad (15)$$

The distance slid by the both wheels at rotation

$$T = 2dQ_{max} = 2dQ_{max}^0 \frac{\pi}{180^0} = 2 \times 10 \times 5.389^0 \frac{3.14}{180^0} = 1.88 \text{ mm.} \quad (16)$$

The friction path of both wheels for half of the wave length

$$F_{1/2wl} = S + T = 50.78 + 1.88 = 52.66 \text{ mm,} \quad (17)$$

and friction path of each wheel for distance of 1 km

$$F_{1km} = F_{1/2wl} \frac{1000}{2\lambda/2} = 52.66 \frac{1000}{2 \times 6.096/2} = 8638.45 \text{ mm.} \quad (18)$$

Thus, friction path of wheels depends on geometric parameters of their profiles and they change due to wear. Consequently, for reduction of the wear rate regulation of these parameters is required.

As for the frequency of the “hunting” oscillations it depends on the train speed  $V$  and at the value  $V=100 \text{ km/h}=27.77 \text{ m/s}$ , it will be:

$$\text{for new wheelset} \quad f = \frac{V}{\lambda} = \frac{27.77}{16.1544} = 1.72 \text{ Hz,} \quad (19)$$

$$\text{and for worn-out wheelset} \quad f = \frac{V}{\lambda} = \frac{27.77}{6.096} = 4.55 \text{ Hz.} \quad (20)$$

### Conditions for formation and destruction of the third body on the interacting surfaces of the wheel and rail

The methods and calculating models widely used at present for prediction and improvement of tribological properties of the interacting surfaces of wheels and rails are characterized by undue reflection or ignorance of parameters typical for the acting processes of various scales, as well as low informativeness and precision [8, 9, 10].

Interacting surfaces of wheels and rails operate with or without lubrication. Liquid lubricants are mainly used to modify these surfaces. Their application to the surface is strictly limited to prevent environmental pollution, which complicates (constantly creates “oil starvation” conditions) the conditions for hydrodynamic lubrication. The most complete mathematical model of lubrication is the elastohydrodynamic (EHD) theory of lubrication [11]. There are various formulas for isothermal and anisothermal solutions for EHD problems describing the behaviour of oil film thickness with various accuracies. The modern friction modifiers contain tribochemically active products that have great influence on their operational properties. The various aspects of properties of these components are not sufficiently studied and they cannot be expressed mathematically. EHD theory of lubrication only considers the mechanical phenomena proceeding in the lubricant film of the contact zone, ignoring other layers.

According to Godet's [12] observations, dry friction is mainly determined not by the frictional properties of the rubbing surfaces, but by the properties and structure of the oxide coating of the surfaces, the chemical composition of the wear products located in the contact zone. Studies have shown that the performance properties of modern lubricants (friction modifiers) are mainly determined by the effectiveness of boundary lubricating layers. Models in which the rate of a thermally activated process is accelerated by the application of an external force so that mechanical energy directly couples into the process to effectively lower the activation barrier can describe a significant range of tribological phenomena. Such models in various forms have been used to describe viscosity, solid sliding, tribochemically reaction rates and even nanoscale wear [13, 14].

The displacement of interacting surfaces relative to each other causes an increase in shear stresses, fluidity, and heat generation, destruction of interatomic bonds, which worsens the mechanical properties and physical sorption and activates chemisorption [14].

In the process of friction, in some places of the contact zone, processes of destruction and restoration of the third body of various scales constantly occur. The intensity of the mutually competing processes of destruction and restoration of the third body determine the degree of its destruction and the direct interaction of the surfaces. Recently, natural surfactants have been extensively used in diverse manufacturing applications owing to their distinctive properties such as outstanding adsorption feature, great viscosity and enhancement of wetting [15].

Macroscopic laws of friction do not generally apply to nanoscale contacts. Although continuum mechanics models have been predicted to break down at the nanoscale [16], they continue to be applied for lack of a better theory [17]. In the contact zone, complex physicochemical processes of micro- and macro-scale occur, which have a stochastic character due to the significant discreteness of the friction contact and the difference in the power and thermal loading of individual points. However, due to the incompleteness of the initial factors containing the initial equations, the mathematical description of the main tribological processes is complicated.

Studies have shown that the main determining parameters of the tribological properties of rubbing surfaces are the tribological properties of the third body and the degree of its destruction, which are established experimentally in the laboratory conditions. The formation and destruction of the third body depends on hydro dynamically processes and especially for modern lubricants, on the intensity of adsorption-absorption processes.

Most tribological experiments are done at the macro scale, where although they give useful relationships between friction, load, temperature, and sliding speed, they do not show where they come from, and the mechanism of formation and destruction of lubricant boundary layers, which is mainly due to physical and chemical adsorption, is not entirely clear. There are models [18-21] based on the concept that under force and heat effects on the molecule or an atom and overcoming the energy barrier the fluidity, rate of a chemical reaction or other processes, will be increased.

Based on the above and using the third body failure criterion [22], developed on the basis of the elastic-hydrodynamic theory of lubrication and the results of experimental studies, taking into account the stability of the boundary layers, the structure of the expression for the destruction of the third body can be expressed:

$$K = k \left( \frac{R}{\sqrt{Ra_1^2 + Ra_2^2}} \right)^{0.7} \left( \frac{\mu_0 V_{\Sigma r}}{P_l} \right)^{0.7} \left( \frac{P_l \beta}{R} \right)^{0.6} \left( \frac{\lambda}{\alpha \mu_0 V_{sl}^2 P_{e1,2}^{0.5}} \right)^e \leq 1$$

$$C = K(R/(R_{a1}^2 + R_{a2}^2)^{0.5})(\mu V_{\Sigma r}/P_l)^{0.7}(P_l \beta/R)(\lambda/\alpha \mu V_{sl}^2 P e_{1,2}^{0.5})^e \leq 1 \quad (22)$$

where  $V_{\Sigma r}$  is a total rolling velocity;  $V_{sl}$  – sliding velocity;  $P_n$  – linear load;  $\mu$  - dynamic viscosity of the lubricant;  $R$  – reduced radius of curvature of the surfaces;  $R_{a1}$  and  $R_{a2}$ - average standard deviation of the interacting surfaces;  $\beta$  – piezo coefficient of the lubricant viscosity;  $\zeta$ – the lubricant thermal conductivity;  $\alpha$  – thermal coefficient of the lubricant viscosity;  $a$  – thermal diffusivity; The exponents  $e$ ,  $d$  and coefficient  $K$  are specified on the base of the experimental data.

As can be seen from the above, the processes of formation and destruction of adsorbed layers mainly depend on the force and thermal loading (especially on the shear stress and activation of the deformed layers) and activation of the destruction of atomic bonds.

### Conclusions

1. The researches have shown a qualitative interdependence of the contact zone tribological parameters that implies possibility of prediction of qualitative change of other parameters by means of change of one these parameters.
2. The values of the sliding distance, the frequency and amplitude of the lateral displacement oscillations depend on the wheel tread surface slope to a large extent.
3. The formation and destruction of the third body mainly depend on the boundary and hydrodynamic phenomena occurring in the contact zone.
4. For reduction of sliding distance and wear of the wheels and rails, it is necessary to restrict use of the worn-out wheels even further.

**ACKNOWLEDGMENT.** I Deeply Express My Hearty Gratitude and Thanks to Shota Rustaveli National Science Foundation of Georgia (SRNSFG) supported this work under GENIE project AR - 22 - 2204.

### References:

1. S. Iwnicki, S. Björklund, and R. Enblom, “Wheel–rail contact mechanics,” in Wheel–Rail Interface Handbook, R. Lewis and U. Olofsson, Eds. Woodhead Publishing, 2009, pp. 58–92;
2. Olofsson U. and Telliskivi T., Wear, plastic deformation and friction of two rail steels – a full-scale test and a laboratory study, *Wear*, 2003, 254, pp. 80–93;
3. Lewis R. and Olofsson U., Mapping rail wear regimes and transitions, *Wear*, 2004, 257, pp. 721–729;
4. Lewis R, Olofsson U (2004) Mapping rail wear regimes and transitions. *Wear*. 257(7-8). p. 721-729;
5. Sukarai T., The role of chemistry in the lubrication of concentrated contacts, *Journal of Lubrication Technology*, 1981, 103, pp. 473–485;
6. Dizdar S., Formation and Failure of Chemireacted Boundary Layers in Lubricated Steel Contacts, Doctoral thesis, Royal Institute of Technology (KTH), Department of Machine Design, TRITA-MMK 1999:7, Stockholm, Sweden, 1999;
7. F. Braghin a, R. Lewis b, R.S. Dwyer-Joyce b, S. Bruni. A mathematical model to predict railway wheel profile evolution due to wear. *Wear* 261 (2006) 1253–1264. [31];



8. Lewis R., Dwyer-Joyce R.S., Bruni S., Ekberg A., Cavalletti M., Bel Knani K.. A New CAE Procedure for Railway Wheel Tribological Design. 14th International Wheelset Congress, 17-21 October, Orlando, USA;
9. Ahmed NS, Nassar AM (2013) Lubrication and Lubricants. In: Tribol. -Fundam. Adv., pp. 55-76;
10. Drozdov YN, Pavlov VG, Puchkov VN. Friction and wear in the extreme conditions (in Russian). (in Russian) (1986) Moscow, Mashinostroenie, 224 p.;
11. Drozdov YN, Pavlov VG, 20 Puchkov VN. Friction and wear in the 21 extreme conditions (in Russian). (in 22 Russian) (1986) Moscow, 23 Mashinostroenie, 224 p.;
12. Joanna Moody. Critical speed analysis of railcars and wheelsets on the curved and straight track. Lewiston, Maine. 2014;
13. Maboudian R, Ashurst WR, Carraro C (2002) Tribological Challenges in Micromechanical Systems. Tribology Letters 12: 95-100;
14. Singer IL (1992) Solid Lubrication Processes. Fundamentals of Friction: Macroscopic and Microscopic Processes, 621 p. Springer;
15. Czichos, S. Beker, J. Lexow (1987), Multilaboratory tribotesting: results from the Versailles Advanced Materials and Standards programme on wear test method (VAMAS), Wear, 114, pp. 109-130;
16. Cheng, H. S. A numerical solution of the elastohydrodynamic film thickness in a elliptical contact. Trans. ASME F, J. Lubric. Technol., 1970, 92 (1), 155-162;
17. M. Godet. The third-body approach: a mechanical view of wear. *Wear*, 100:437–452, 1984;
18. V. Brizmer, C. Matta, I. Nedelcu, G. E. Morales-Espejel. The Influence of Tribolayer Formation on Tribological Performance of Rolling/Sliding Contacts. Tribol. Lett (2017) 65:57;
19. Hugh Spikes, Wilfred Tysoe. On the Commonality Between Theoretical Models for Fluid and Solid Friction, Wear and Tribochemistry. Pp. 1-14. Tribol Lett (2015) 59:21;
20. Tantawy, A. H., Soliman, K. A., and Abd El-Lateef, H. M. (2020). Novel Synthesized Cationic Surfactants Based on Natural Piper Nigrum as Sustainable-green Inhibitors for Steel Pipeline Corrosion in CO<sub>2</sub>-3.5% NaCl: DFT, Monte Carlo Simulations and Experimental Approaches. *J. Clean. Prod.* 250, 119510;
21. Luan, B. & Robbins, M. O. The breakdown of continuum models for mechanical contacts. *Nature* 435, 929–932 (2005);
22. George Tumanishvili, Tengiz Nadiradze and Giorgi Tumanishvili. A New Concept of the Mechanism of Variation of Tribological Properties of the Machine Elements Interacting Surfaces. In the book Tribology in Materials and Manufacturing - Wear, Friction and Lubrication, chepter 7, pp. 131-150, IntechOpen, 2021.

მძიმედ დატვირთული ურთიერთქმედების ზედაპირების  
ტრიბოლოგიური თვისებების გაუმჯობესება მესამე სხეულის  
თვისებებისა და რღვევის ხარისხის საფუძველზე

გიორგი თუმანიშვილი

რ. დვალის სახელობის მანქანათა მექანიკის ინსტიტუტი

რეზიუმე

მძიმედ დატვირთული მოხახუნე ზედაპირების მდგრადი საექსპლუატაციო თვისებების უზრუნველყოფა სატრანსპორტო მანქანების ფუნდამენტური პრობლემაა. ჩვენმა კვლევამ გვიჩვენა, რომ ამის მიღწევა შესაძლებელია მძიმედ დატვირთული მოხახუნე ზედაპირების ერთმანეთისგან განცალკევებით უწყვეტი (ან დისკრეტულ წერტილებში წყვეტილი და აღდგენითი) და შესაბამისი თვისებების მქონე მესამე სხეულით. მოხახუნე ზედაპირების ხახუნის კოეფიციენტი, ცვეთის ინტენსივობა, ვიბრაციები, ხმაური, სატრანსპორტო საშუალებების მოძრაობის უსაფრთხოება, წევაზე მოხმარებული ენერჯია, პროფილაქტიკისასა და შეკეთების ხარჯები და ა.შ. ძირითადად დამოკიდებულია უშუალო ურთიერთქმედებაში მყოფი ზედაპირების მთლიან ფართობზე. მესამე სხეულის რღვევაზე მოქმედი ძირითადი ფაქტორებია მესამე სხეულის ტრიბოლოგიური თვისებები, საკონტაქტო ზონის ძალური და თერმული დატვირთვები და ზედაპირების უშუალო კონტაქტის დრო. ამგვარად, მოხახუნე ზედაპირების საოპერაციო თვისებები ძირითადად დამოკიდებულია მის რღვევის ხარისხზე და ზედაპირების შეჭიდულობისკენ მიდრეკილებაზე. მძიმედ დატვირთული მოხახუნე ზედაპირების კონტაქტის ზონისათვის დამახასიათებელია სხვადასხვა მასშტაბის პროცესების ერთდროული მიმდინარეობა. კონტაქტურ ზონაში ზეთის ფენის წარმოქმნისა და მისი რღვევის მაკრომასშტაბური პროცესების თეორიულ საფუძველს წარმოადგენს შეხეთვის ელასტოჰიდროდინამიკური თეორიის განტოლებების სისტემა. ამასთან, სასაზღვრო ფენების თვისებები და სტაბილურობა, განსაკუთრებით თანამედროვე შემზეთი მასალებისთვის, ეფუძნება ინტერდისციპლინური კვლევის შედეგებს, რომლებიც ძირითადად მიეკუთვნება ფიზიკისა და ქიმიის სფერებს და ჯერ კიდევ არ აქვთ საინჟინრო პრაქტიკაში გამოსაყენებლად მისაღები ფორმა. ჩვენმა კვლევებმა აჩვენა, რომ დისკრეტული კონტაქტის ზონებში უწყვეტი ან აღდგენილი მესამე სხეულის არსებობისას მისი ტრიბოლოგიური თვისებები სტაბილური და პროგნოზირებადია. მოხახუნე ზედაპირების ტრიბოლოგიური თვისებების გასაუმჯობესებლად, ჩვენ დავამუშავეთ ახალი, ეკოლოგიური ხახუნის მოდიფიკატორები და გამოვცადეთ ლაბორატორიულ პირობებში. ასევე დავამუშავეთ მესამე სხეულის რღვევის პირობა, რომელიც შეიცავს კინემატიკურ, ძალურ და თერმოფიზიკურ პარამეტრებს, რომლებიც გავლენას ახდენენ მის ფორმირებასა და რღვევაზე, სადაც სასაზღვრო ფენების ტრიბოლოგიური თვისებები და სტაბილურობა ვლინდება ექსპერიმენტული კვლევების საფუძველზე დადგენილი კოეფიციენტების მნიშვნელობებში.

**საკვანძო სიტყვები:** ხახუნი, ცვეთა, მესამე სხეული, ხახუნის მოდიფიკატორი, მოხახუნე ზედაპირები.

**Улучшение трибологических свойств тяжело нагруженных  
взаимодействующих поверхностей на основе свойств и  
степени разрушения третьего тела**

**გიორგი ტუმანიშვილი**

**Институт Механики Машино им. Р. Двали**

**Резюме**

Обеспечение устойчивых эксплуатационных свойств тяжело нагруженных взаимодействующих поверхностей представляет собой фундаментальную проблему машиностроения. Наши исследования показали, что этого можно достичь путем отделения поверхностей взаимодействия колеса и рельса друг от друга непрерывным (или прерывистым в дискретных точках и восстанавливаемым) третьим телом с соответствующими свойствами. Это необходимое условие во избежание их заедания и других нежелательных явлений. Коэффициент трения поверхностей взаимодействия колеса и рельса, скорость их изнашивания, вибрация, шум, а также безопасность движения, расход энергии на тягу, затраты на профилактику и ремонт и т.д. в основном зависят от общей площади указанных поверхностей, находящихся в эксплуатации. в прямом взаимодействии. Это устанавливалось визуально по повреждениям, возникающим при разрушении поверхностей в местах разрушения третьего тела, по изменению момента трения на осциллограмме, а также параметров вибраций и шума. Эксплуатационные свойства трущихся поверхностей в основном зависят от степени разрушения третьего тела и склонности поверхностей к схватыванию. Для тяжело нагруженной зоны контакта трущихся поверхностей характерно одновременное протекание процессов различного масштаба. Теоретической основой формирования масляного слоя в зоне контакта и макромасштабных процессов его разрушения является система уравнений упругогидродинамической теории смазки. Однако свойства и стабильность пограничных слоев, особенно для современных смазок, основаны на результатах междисциплинарных исследований, проводимых преимущественно в сфере физики и химии, которые пока не имеют формы, приемлемой для использования в инженерной практике. Наши исследования показали, что при существовании непрерывного или в дискретных точках разрушенного и восстанавливаемого третьего тела в его трибологические свойства стабильны и предсказуемы. Для улучшения трибологических свойств колес и рельсов мы разработали новые экологические модификаторы трения и протестировали их в лабораторных условиях. Также разработано условие разрушения третьего тела, которое содержит кинематические, геометрические, силовые и теплофизические параметры, влияющие на его образование и разрушение, где трибологические свойства и устойчивость пограничных слоев выявляются в значениях коэффициентов, установленных на базе экспериментальных исследований.

**Ключевые слова:** трение, износ, третье тело, модификатор трения, трущиеся поверхности.

# ტექნიკურად მზადყოფნის კოეფიციენტის გავლენა ლოგისტიკური სისტემის ეფექტურობაზე დიმიტრი ბალახაძე\*

\*დოქტორანტი, საქართველოს ტექნიკური უნივერსიტეტი, E-mail: balakhadze.d@gtu.ge

(საქართველოს ტექნიკური უნივერსიტეტი, მ. კოსტავას ქ. №71, 0175,  
თბილისი, საქართველო)

**რეზიუმე:** დღეისათვის არ არსებობს უნივერსალური მეთოდი, რომელიც გაზომავს ლოგისტიკური სისტემის ეფექტურობას, რომელიც გაითვალისწინებდა მასში მიმდინარე პროცესების დინამიკას, ასევე ცვლადების მთელ მრავალფეროვნებას, რომლებიც განსაზღვრავენ მასში მიმდინარე პროცესებს. თუმცა, არსებობს ერთი უნივერსალური პარამეტრი, რომლითაც შეგვიძლია განსაზღვროთ ლოგისტიკური სისტემის ეფექტურობა მთლიანობაში. ეს პარამეტრია ლოგისტიკური ხარჯები მიწოდების ჯაჭვში, ან მოგება, რომელიც წარმოიქმნება მატერიალური ნაკადის მოძრაობის დროს. ლოგისტიკური სისტემის ეფექტურობის შეფასება შეიძლება განხორციელდეს მოგებისა და ხარჯების შედარების გზით, რომელიც წარმოიქმნება მიწოდების ჯაჭვში. ეფექტური ლოგისტიკური სისტემის შექმნის გასაღები არის ლოგისტიკური მომსახურების დონისა და მთლიანი ხარჯების ოდენობის შორის ბალანსის შენარჩუნება, რომლის ერთ-ერთი პრიორიტეტული მიმართულება არის მოძრავი შემადგენლობის ტექნიკური მზადყოფნის კოეფიციენტის (ტმკ) ხარისხის გაზრდის შესაძლებლობა, რომელიც ასახავს მოცდენების დონეს ტექნიკური მიზეზებით.

**საკვანძო სიტყვები:** ტექნიკური მზადყოფნის კოეფიციენტი, ლოგისტიკური სისტემის ეფექტურობა, საინფორმაციო სისტემები.

## ძირითადი ტექსტი

ნებისმიერი ბიზნეს ორგანიზაცია, რომელიც ნერგავს თავის საქმიანობაში მართვის ლოგისტიკურ პრინციპებს, უპირველეს ყოვლისა, ცდილობს გაიგოს, როგორ გაიზრდება ორგანიზაციის ეფექტურობა ლოგისტიკური მიდგომის გამოყენებისას.

ნებისმიერი ლოგისტიკური სისტემის ყველაზე გავრცელებულ, მაჩვენებლებს წარმოსდგენს:

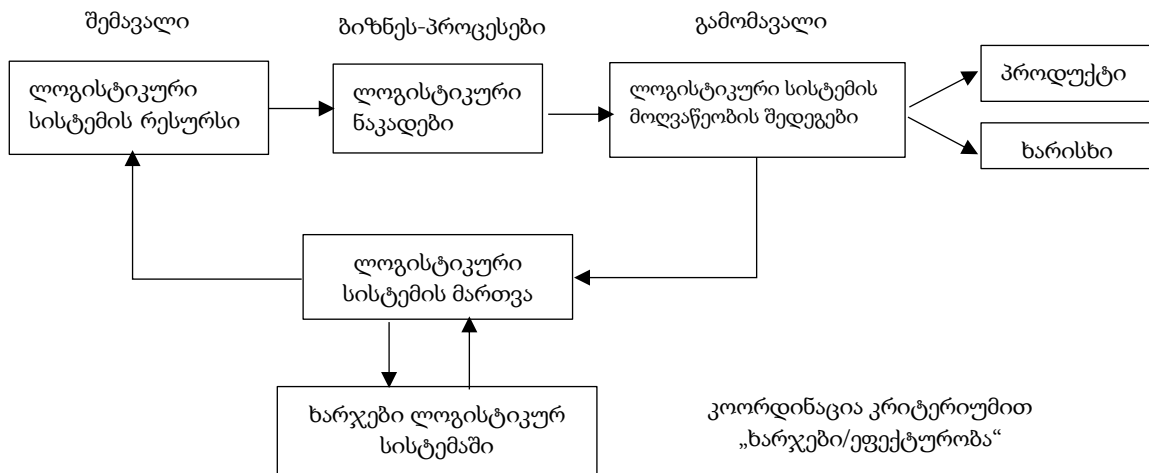
- 1) საერთო ლოგისტიკური ხარჯი;
- 2) ლოგისტიკური სერვისის ხარისხის დონე;
- 3) ბიზნეს სისტემის საერთო მწარმოებლურობა;
- 4) სისტემაში ლოგისტიკური პროცესების ხანგრძლივობა;
- 5) ლოგისტიკური ოპერაციებისა და პროცესების ხარისხი (ლოგისტიკური მომსახურების დონე).

ეს მაჩვენებლები გამოიყენება ლოგისტიკური კომპანიებისა და ლოგისტიკური სისტემების შედარებითი შეფასებისას. ეს მაჩვენებლები უნდა იყოს ადვილად გაზომვადი, სწორედ ისინი ქმნიან თანამედროვე ლოგისტიკური კომპანიების ოპერატიული,

ტაქტიკური და სტრატეგიული დაგეგმვის საფუძველს. უფრო მეტიც, სწორედ მათზეა აგებული ლოგისტიკური სისტემის ეფექტურობის კონტროლის (მონიტორინგის) სისტემა, ასევე კომპანიის მართვის ბუღალტრული აღრიცხვის (მენეჯმენტის) სისტემა.

ლოგისტიკური სისტემის ეფექტურობის შესაფასებლად აუცილებელია მისი წარმოდგენა, როგორც ორგანიზაციული და მართვის კომპლექსი, რომელიც მიზნად ისახავს ეფექტური ბალანსის მიღწევას ლოგისტიკური ხარჯებს შორის ან ლოგისტიკური რესურსი, რომლებიც მიმართულია მომხმარებლის შეკვეთების შესასრულებლად და ლოგისტიკური სისტემის მომხმარებლის მომსახურების ხარისხის დონე.

ამ ასპექტში, ნებისმიერი ლოგისტიკური სისტემა შეიძლება განიმარტოს, როგორც ეფექტური უკუკავშირის მქონე სისტემა. (ნახ. 1). [1]



ნახ. 1. ლოგისტიკური სისტემა ეფექტური უკუკავშირით

ლოგისტიკური სისტემის შედეგები დამოკიდებულია მათ სტრუქტურაზე, რაოდენობასა და შემადგენლობაზე.

ლოგისტიკური სისტემის ეფექტურობის შეფასების პროცედურის ფორმალიზებისთვის, წარმოგიდგინებ შემდეგ მახასიათებლებს, რომლებიც აჯამებენ ლს ეფექტურობის ზემოთ მოცემულ მაჩვენებლებს:

- მიწოდების დროის სიზუსტე;
- მიწოდების ადგილის სიზუსტე;
- მიწოდებული პროდუქციის ნომენკლატურისა და ასორტიმენტის სიზუსტე;
- მიწოდებული პროდუქციის რაოდენობრივი მაჩვენებლების სიზუსტე;
- მიწოდებული პროდუქციის ხარისხის მაჩვენებლების სიზუსტე;
- ფასის შესაბამისობა ბაზრის მოთხოვნებთან. [2]

განზოგადებული მაჩვენებელი, რომელიც გამოხატავს ლოგისტიკური სისტემის ეფექტურობის შეფასებას, შეიძლება გამოიხატოს ფორმულით:

$$\mathfrak{Z} = \sum_i^p \sum_j^r \sum_k^s Q_{ijk} - \sum \mathfrak{Z}, \quad (1)$$

სადაც,  $Q_{ijk}$ - k შეკვეთის, j-ური ფუნქციის, i-ური ლოგისტიკური მომსახურების მოცულობა;



3 - ლოგისტიკური ხარჯები;

თუ გადავალთ კონკრეტულ მაჩვენებლებზე, მაშინ ლოგისტიკური სისტემის ფუნქციონირების ეფექტურობა ტოლი იქნება (0-დან 1-მდე დიაპაზონში)

$$\mathfrak{Z} = \frac{\sum_i^p \sum_j^r \sum_k^s \mathfrak{Z}_{ijk}}{\sum \mathfrak{Z}} \quad (2)$$

სადაც,  $\mathfrak{Z}_{ijk}$  - k შეკვეთის, j-ური ფუნქციის, i-ური ლოგისტიკური მომსახურების ეფექტია;

3 - ლოგისტიკური ხარჯები;

აღნიშნული არ ითვალისწინებს მომხმარებლის მომსახურების ხარისხს. თუ ლოგისტიკური სისტემის ფუნქციონირების შეფასების სისტემაში შევიყვანთ შეკვეთების ხარისხიანად შეფასებას (სერვისული მომსახურება) მიიღებს სახეს:

$$\mathfrak{Z} = \frac{\sum_k^s (\mathfrak{Z}_{i3k})}{\sum \mathfrak{Z}} \quad (3)$$

სადაც,  $\mathfrak{Z}_k$  - k შეკვეთის მომსახურების, ლოგისტიკური სისტემის ფუნქციონირების ეფექტურობის მაჩვენებელია;

$\mathfrak{Z}_k$  - k შეკვეთის ხარისხიანი მომსახურების ხარჯები;

ვინაიდან ლოგისტიკური სერვისის (მომსახურების) დონე ზრდის ლოგისტიკური სისტემის ფუნქციონირების ეფექტურობას, მომხმარებლის შეკვეთების მომსახურების სხვადასხვა ვარიანტის გაანგარიშება საშუალებას მოგვცემს განვსაზღვროთ მაქსიმალური ეფექტურობა.

ბოლო წლებში კომპანიების ხარჯები სტაბილურად იზრდება, დაკავშირებული ისეთი ტიპის ლოგისტიკის ხარჯებთან, როგორცაა ლოგისტიკური საინფორმაციო სისტემების დანერგვა და ექსპლუატაცია, ლოგისტიკური სისტემების მენეჯმენტი და ლოგისტიკური აუტსორსინგი.

ასს-ში სისტემატური მუშაობა უნდა ტარდებოდეს ტრანსპორტირების ხარჯების შესამცირებლად ამის მიღწევის ძირითადი გზა არის ასს-ში სატრანსპორტო საშუალებების ტექნიკურად მზადყოფნის კოეფიციენტის გაზრდა, მოვლისა და რემონტის დროის ხანგრძლივობის შემცირება, რაც საბოლოოდ ამაღლებს მწარმოებლურობას.

ავტომობილის მწარმოებლურობა დამოკიდებულია სამუშაო დროის გამოყენებაზე. ის კი, თავის მხრივ, საიმედოობის მაჩვენებლების მიხედვით იცვლება, რაც განპირობებულია ავტომობილის ტექნიკური მომსახურებისა და რემონტით გამოწვეული მოცდენებით, ე.ი. სამუშაო დროის დანაკარგებით. გარბენის ზრდასთან ერთად აღნიშნული მიზეზებით გამოწვეული მოცდენა იზრდება და მამასადამე, მცირდება ავტომობილის მწარმოებლურობა.

საწარმოში მოძრავი შემადგენლობის შეკეთებისა და შენარჩუნების ბიზნეს პროცესების აგრეთვე შესაბამისი საინფორმაციო ბაზების არსებობისას, ტექნიკური მომსახურების ეფექტურობის მთავარი მაჩვენებელი არის მოძრავი შემადგენლობის ტექნიკურად მზადყოფნის კოეფიციენტი (ტმკ). იგი წარმოადგენს ავტომობილის სამუშაო მდგომარეობაში ყოფნის დროის შეფარდებას ამ დროისა და მტყუნებათა აღმოფხვრაზე დახარჯული დროის ჯამთან. როდესაც მხედველობაში მიიღება ყველა სახის მოცდენა მაშინ აღნიშნული მაჩვენებელი შემდეგნაირად იანგარიშება [3,4]

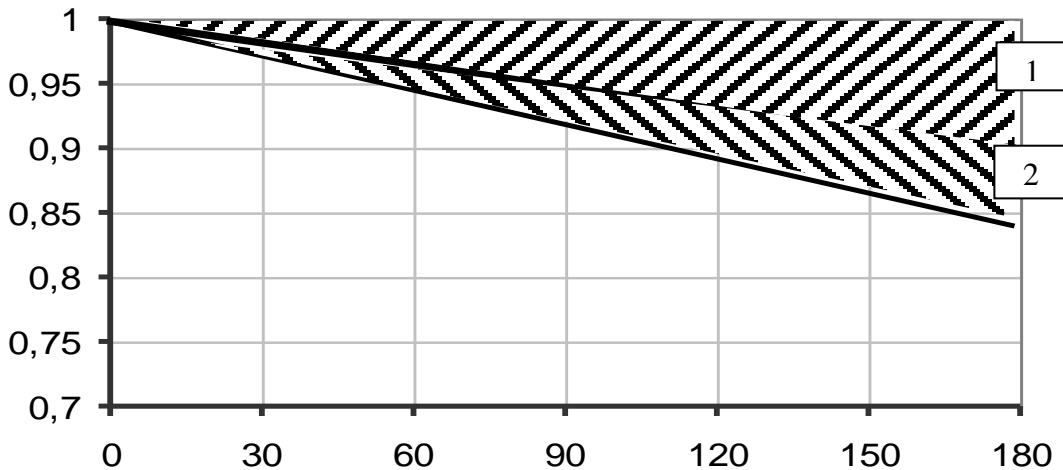


$$\alpha_{\text{ტ}} = \frac{1}{1 + B_{\text{ტმ.რ}} \cdot L_{\text{დლ}}} \quad (4)$$

სადაც,  $L_{\text{დლ}}$ . არის ავტომობილის სადღეღამისო გარბენა-ათასი კმ.

$B_{\text{ტმ.რ}}$  – ტექნიკურ მომსახურებასა და რემონტზე კუთრი მოცდენა, სთ/1000კმ.

ნახ. 2-ზე შედარებისათვის მოცემულია ავტომობილის ტექნიკურად მზადყოფნის კოეფიციენტის ცვლილების მრუდები წარმოებისა და ექსპლუატაციის სფეროებისათვის [59]



ნახ. 2. წარმოების -1 და ექსპლუატაციის -2 სფეროების გავლენა მოცდენის ხანგრძლივობაზე (ტექნიკურად მზადყოფნის კოეფიციენტზე)

ფაქტობრივად, რაც უფრო ნაკლები მოძრავი შემადგენლობაა მოცდენილი ტექნიკური და სარემონტო სამუშაოებისთვის, მით უფრო მაღალია ტმკ. სატრანსპორტო საშუალების შემენის მომენტიდან მისი რესურსების სრულ ამოწურვამდე ტმკ მუდმივად იკლებს და საწარმოს, როგორც მოძრავი შემადგენლობის მფლობელის ამოცანაა შეანელოს ამ კოეფიციენტის შემცირების ტემპი და გაზარდოს სასარგებლო, კომერციული გარბენი.

არ აქვს აზრი იმაზე ფიქრს, რომ ავარჯიოთ ხარისხიანი სათადარიგო ნაწილები, სითხეები და თუნდაც საწვავი. ამ მიმართულებით, თვითოეულ ავტოპარკს აქვს საკუთარი გამოცდილება, თუმცა აქაც საინფორმაციო სისტემა იძლევა ისეთი მოცულობის სტატისტიკის მოპოვების საშუალებას, რომელიც ყველაფერს თავის ადგილზე დააყენებს. ერთი რამ ცხადია - აუცილებელია ტექნიკური მომსახურებისა და სარემონტო სამუშაოების დროული დაგეგმვა. მაგ. დროულად დეტალის შეცვლა, რომელიც ათასი ლარის ღირებულებისაა, აგაცილებთ შემთხვევით რემონტს, რომელიც ეღირება მაგ. 4 ათასი, ასევე დაგვიანებული ტვირთისთვის ჯარიმის გადახდას და რაც მთავარია კომპანიების პრეტენზიებისგან, რომელიც აზღვევს ამ ტვირთს.

საავტომობილო სატრანსპორტო საქმიანობაში სატრანსპორტო საშუალებების ექსპლუატაცია წყვეტს ტვირთისა და მგზავრების გადაზიდვის (კომერციული ექსპლუატაცია), პარკის სამუშაო მდგომარეობაში შენარჩუნების და მისი ლოგისტიკის (ტექნიკური ოპერაცია) პრობლემებს. ამ შემთხვევაში სატრანსპორტო საშუალებების ტექნიკური ექსპლუატაციის ამოცანაა სატრანსპორტო საქმიანობის უზრუნველყოფა ეფექტური და ტექნიკურად გამართული მოძრავი შემადგენლობით, ე.ი. საიმედო

ტრანსპორტირების პროცესის განხორციელების შესაძლებლობის უზრუნველყოფა. კომერციული ექსპლუატაციის ამოცანებია მომსახურე სატრანსპორტო საშუალებების ეფექტური გამოყენება, ხარჯების შემცირება და მოგების გაზრდა.

ავტოტრანსპორტის მუშაობის ეფექტურობაზე მოქმედი ფაქტორების ანალიზი შეიძლება განხორციელდეს მოძრავი შემადგენლობის ტექნიკური ექსპლუატაციის თვალსაზრისით, რომელიც მოიცავს ადამიანური საქმიანობის საშუალებებს და მეთოდებს, რომლებიც მიზნად ისახავს მოძრავი შემადგენლობის ეფექტურ გამოყენებას, საიმედოობას და ეკონომიურობის უზრუნველყოფას, მოძრავი შემადგენლობის უსაფრთხოებას და გარემოსდაცვით კეთილგანწყობას.

### დასკვნა

ამრიგად, ლოგისტიკურ სისტემის ეფექტური ფუნქციონირებისათვის პირველი ნაბიჯია საინფორმაციო სისტემის დანერგვა და ბიზნეს პროცესების დაგეგმვა, რის შემდეგაც შეგვიძლია სტატისტიკის საფუძველზე გამოთვალეთ ტმკ და გავიგოთ, რომელ მომენტში დაიწყება კოეფიციენტის ვარდნა. მოძრავი შემადგენლობის დროული და ხარისხიანი ტექნიკური მომსახურება, ტექნიკური ექსპლუატაციის წესების დაცვა და მიმდინარე რემონტის განხორციელება საჭირო დროს და მაღალი ხარისხით, ზრდის რემონტებს შორის გარბენს და ამცირებს ტექნიკური მომსახურების ხარჯებს, რაც პირდაპირპროპორციულია ლოგისტიკური სისტემის ხარჯების შემცირებასთან და შესაბამისად ეფექტურობის გაზოტრდასთან.

### გამოყენებული წყაროები და ლიტერატურა:

1. Костен Д. ECR. - Эффективное взаимодействие с потребителем / Д. Костен, Ю. Петцль. М. : Изд-во КИА-центр, 2006, 136 с.;
2. ლ. ზოცვაძე, კ. ერაძე, ვ. ზოცვაძე - ლოგისტიკური მენეჯმენტი და მოდელირება, 2010წ., 800გვ.;
3. ზურაბ შენგელია - ლოგისტიკა მცირე და საშუალო საწარმოებში, 2013წ., 225 გვ.;
4. <https://rarus.ru/publications/20190605-oshibki-i-uzkie-mesta-v-transportno-logisticheskikh-biznes-protsessakh-kompanii-387586/>

### **Influence of the coefficient of technical readiness on the efficiency of the logistics system**

**Dimitri Balakhadze**

#### **Abstract**

Today there is no universal method for measuring the effectiveness of the logistics system, which would take into account the dynamics of the processes occurring in it, as well as the whole variety of variables that determine the processes occurring in it. However, there is one universal parameter that can be used to determine the effectiveness of the logistics system as a whole. This parameter represents the logistics costs in the supply chain, or the profit

received in the process of material flow. You can evaluate the effectiveness of the logistics system by comparing the profits and costs incurred in the supply chain.

The key to creating an effective logistics system is to maintain a balance between the level of logistics service and the amount of total costs, one of the priority areas of which is the possibility of improving the quality of the rolling stock technical readiness factor.

Keywords: coefficient of technical readiness, efficiency of the logistics system, information systems.

## **Влияние коэффициента технической готовности на эффективность логистической системы**

**Димитрий Балахадзе**

### **Резюме**

На сегодняшний день не существует универсального метода измерения эффективности логистической системы, который бы учитывал динамику происходящих в ней процессов, а также все многообразие переменных, определяющих происходящие в ней процессы. Однако есть один универсальный параметр, по которому можно определить эффективность логистической системы в целом. Этот параметр представляет собой логистические затраты в цепочке поставок или прибыль, полученную в процессе движения материалов. Вы можете оценить эффективность логистической системы, сравнив прибыль и затраты, понесенные в цепочке поставок. залогом создания эффективной логистической системы является соблюдение баланса между уровнем логистического обслуживания и объемом общих затрат, одним из приоритетных направлений которого является возможность повышения качества коэффициента технической готовности подвижного состава.

Ключевые слова: коэффициент технической готовности, эффективность логистической системы, информационные системы.

# მძლოლთა შრომისა და დასვენების რეჟიმების უზრუნველყოფა შიდა და ადგილობრივი რეგულარული სამგზავრო გადაყვანების დროს ელიზბარ დარჩიაშვილი\*, ხათუნა მღებრიშვილი\*\*

*\*მოწვეული ასოცირებული პროფესორი, საქართველოს ტექნიკური უნივერსიტეტი,*

*E-mail: edarchiashvili@outlook.com;*

*\*\*ასოცირებული პროფესორი, საქართველოს ტექნიკური უნივერსიტეტი,*

*E-mail: kh.mgebrishvili@gtu.ge*

(საქართველოს ტექნიკური უნივერსიტეტი, მ. კოსტავას №71, 0175, თბილისი,  
საქართველო)

**რეზიუმე:** სტატიაში განხილულია რეგლამენტაციის დაწესება მძლოლთა შრომისა და დასვენების რეჟიმებზე, ხოლო მეორე ნაწილში კი ამ რეჟიმების დაცვის საკონტროლო მოწყობილობის - ტაქოგრაფის გამოყენების წესი. მძლოლთა შრომისა და დასვენების რეჟიმების ზღვრული მნიშვნელობები, რომელთა დაცვას გადაამწყვეტი გავლენა აქვს მოძრაობის უსაფრთხოებაზე.

**საკვანძო სიტყვები:** მძლოლის შრომისა და დასვენების რეჟიმები, მარშრუტის სიგრძე, განრიგი, პიქტოგრამები.

## შესავალი

საქართველოს ევროკავშირთან ასოცირების ხელშეკრულების VI თავი ტრანსპორტის სფეროში თანამშრომლობის გაღრმავებას ითვალისწინებს და მისი მიზანია: საქართველოსა და ევროკავშირის სატრანსპორტო სექტორების ერთმანეთთან დაახლოება, ქართული კანონმდებლობის ევროპულ კანონმდებლოსთან ჰარმონიზაცია, საქართველოს გზებზე საგზაო უსაფრთხოების გაუმჯობესება, მგზავრებისა უსაფრთხო გადაადგილების უზრუნველყოფა და გარემოზე ტრანსპორტის უარყოფითი ზემოქმედების შემცირება.

ნაშრომში აღწერილია მგზავრთა უსაფრთხო გადაადგილების კუთხით დღეს ქვეყანაში არსებული პრობლემები, მიმოხილულია საერთაშორისო გამოცდილება და სტატისტიკა ქვეყანაში არსებული საგზაო სატრანსპორტო შემთხვევების შესახებ. ანალიზის შედეგად გამოვლინდა, რომ ციფრული ტაქოგრაფების სრულად დანერგვა და გამოყენება შიდა გადაყვანებში გაზრდის მგზავრთა უსაფრთხო გადაყვანასა. ციფრული ტაქოგრაფი ერთადერთი მექანიზმია, რომელსაც შეუძლია გააკონტროლოს, რომ მძლოლი დღეში 11-14 საათს არ მუშაობს, რაც ხშირად ხდება საქართველოში, რადგან მძლოლსაც და კომპანისაც ეჩქარება დანიშნულების ადგილზე მისვლა, რაც მნიშვნელოვნად ზრდის გზებზე არსებულ უსაფრთხოების რისკს.

## ძირითადი ნაწილი

როგორც ცნობილია საქართველო 2011 წელს მიუერთდა AETR-ს (ევროპის შეთანხმება საერთაშორისო საავტომობილო მიმოსვლის მწარმოებელი სატრანსპორტო საშუალებების ეკიპაჟების მუშაობის შესახებ), რომლის იმპლემენტაცია დასრულდა 2013


წელს და სრულად უნდა ამოქმედებულიყო ყველა მიმართულებებით. მოთხოვნები პირობითად იყოფა ორ ნაწილად, რომლის ერთი ნაწილი აწესებს რეგლამენტაციას მძღოლთა შრომისა და დასვენების რეჟიმებზე, ხოლო მეორე ნაწილი შეეხება ამ რეჟიმების დაცვის საკონტროლო მოწყობილობის - ტაქოგრაფის გამოყენების წესს. ამასთანავე, 2014 წელს საქართველოსა და ევროკავშირს შორის გაფორმდა ასოცირების შესახებ შეთანხმება, რომელმაც ქვეყანას დააკისრა ვალდებულებები გაწერილი ამ შეთანხმებით გათვალისწინებული რამდენიმე დირექტივაში და რეგულაციაში, როგორებიცაა: ევროპარლამენტისა და საბჭოს რეგულაცია (EC) N 561/2006, ევრო საბჭოს რეგულაცია (EEC) N 3821/85 (ჩანაცვლდა რეგლამენტით (EU) N 165/2014), ევროპარლამენტისა და საბჭოს დირექტივა 2006/22/EC, ევროპარლამენტისა და საბჭოს დირექტივა 2002/15/EC. ამ დირექტივებისა და რეგულაციების თანახმად მოთხოვნები სავალდებულო ხდება ქვეყნის შიდა გადაყვანებისათვისაც, განსხვავებით AETR-ს მოთხოვნებისგან, რომლებიც მხოლოდ საერთაშორისო გადაყვანებზე ვრცელდება. ამ დოკუმენტების თანახმად დადგენილია მძღოლთა შრომისა და დასვენების რეჟიმების ზღვრული მნიშვნელობები, რომელთა დაცვას გადამწყვეტი გავლენა აქვს მოძრაობის უსაფრთხოებაზე. გაეროს კვლევების თანახმად ტაქოგრაფების გამოყენების შედეგად მძღოლთა სიკვდილიანობა საგზაო-სატრანსპორტო შემთხვევების დროს შემცირდა 75%-ით.

დადგენილია დროების შემდეგი სახეობები, რომლებიც საერთაშორისო ნორმებით აღინიშნება როგორც პიქტოგრამები.

შრომისა და დასვენების დროის პერიოდები იყოფა 4 სახეობად:

1. მართვის ხანგრძლივობა;
2. შესვენებები და დასვენებები;
3. მოცდის დრო (რეზერვში ყოფნა);
4. მუშაობის სხვა პერიოდი (სხვა სამუშაო).

დღეისათვის გამოყენებაშია ანალოგური და ციფრული ტაქოგრაფები.

N	საქმიანობის დროები	პირობითი აღნიშვნის სიმბოლოები (პიქტოგრამები)	
		ანალოგული ტაქოგრაფისათვის	ციფრული ტაქოგრაფისათვის
1	მართვის ხანგრძლივობა		
2	შესვენებები და დასვენებები		
3	მოცდის დრო (რეზერვში ყოფნა)		
4	მუშაობის სხვა პერიოდი		

AETR-ს თანახმად ამ შეთანხმების დებულებები, ისევე როგორც ევროპარლამენტისა და საბჭოს რეგულაცია (EC) N 561/2006-ს დებულებები, ტაქოგრაფების გამოყენების თვალსაზრისით არ გამოიყენება შიდა რეგულარული გადაყვანების დროს. ეს განსაკუთრებით არის ხაზგასმული რეგულარული სამგზავრო გადაყვანების მიმართ, რომელთა მარშრუტის სიგრძე არ აღემატება 50 კმ-ს, რომელიც შეიძლება იყოს როგორც შიდა ისე ადგილობრივი. ეს ქმნის გარკვეულ პრობლემებს ზემოთაღნიშნული



მოთხოვნების აღსრულების თვალსაზრისით. თუმცა ეს პირობა ძალაშია მხოლოდ მაშინ, როცა კომპეტენტური ორგანოების მიერ მათი განრიგი არის დამტკიცებული.

განრიგის დამტკიცება უნდა მოხდეს ყველა იმ დეტალური შეზღუდვების გათვალისწინებით, რასაც ითვალისწინებს AETR და რეგულაცია (EC) N 561/2006.

მართვის პერიოდებთან დაკავშირებით ასეთი შეზღუდვებია:

N	მართვის პერიოდი	ხანგრძლივობა, არა უმეტეს	შენიშვნა
1	უწყვეტად მართვის პერიოდი	4,5 სთ	-
2	მართვის საერთო ჯამური ხანგრძლივობა ყოველი ორი თანმიმდევრული კვირის განმავლობაში	90 სთ	-
3	მართვის მაქსიმალური ხანგრძლივობა ერთ კვირაში	56 სთ	-
4	მართვის ყოველდღიური ხანგრძლივობა	9 სთ	დასაშვებია კვირაში ორჯერ 10 სთ

რაც შეეხება დასვენების (შესვენების) პერიოდებს, ისინი განიმარტება შემდეგნაირად:

**დასვენება** – ნებისმიერი უწყვეტი პერიოდი, რომლის განმავლობაშიც მძღოლს შეუძლია საკუთარი დროის განკარგვა;

**შესვენება** - დასვენების მოკლე პერიოდი მართვის პერიოდებს შორის;

**დასვენების ყოველდღიური პერიოდი** – ყოველდღიური პერიოდი, რომლის განმავლობაშიც მძღოლს შეუძლია თავისუფლად განკარგოს საკუთარი დრო და რომელიც მოიცავს „დასვენების ნორმალურ ყოველდღიურ პერიოდს“ და „დასვენების შემცირებულ ყოველდღიურ პერიოდს“;

**დასვენების ნორმალური ყოველდღიური პერიოდი** – დასვენების ნებისმიერი პერიოდი არანაკლებ 11 საათის ხანგრძლივობით. ალტერნატიული ვარიანტის სახით დასვენების ეს ნორმალური ყოველდღიური პერიოდი შეიძლება დაიყოს ორ პერიოდად, რომელთაგან პირველი უნდა წარმოადგენდეს უწყვეტ პერიოდს არანაკლებ 3 საათის ხანგრძლივობით და მეორე - უწყვეტ პერიოდს არანაკლებ 9 საათის ხანგრძლივობით;

ყოველდღიური დასვენება უნდა განხორციელდეს მხოლოდ სტაციონარულ პირობებში, მათ შორის ავტოსატრანსპორტო საშუალებაში, თუკი არსებობს ამისათვის საჭირო პირობები.

**დასვენების შემცირებული ყოველდღიური პერიოდი** – დასვენების ნებისმიერი პერიოდი არანაკლებ 9 საათის, მაგრამ 11 საათზე ნაკლები ხანგრძლივობით;

მათი მნიშვნელობებია:

მოცდის დრო (რეზერვში ყოფნა) და მუშაობის სხვა პერიოდი (სხვა სამუშაო) ზემოთაღნიშნული დოკუმენტების თანახმად შეზღუდული არ არის, თუ დასვენების (შესვენების) და მართვის პერიოდები არის დაცული.

განსაკუთრებულ ყურადღებას იმსახურებს ის გარემოება, რომ დღევანდელი მდგომარეობით საქართველოში ძალაშია ასევე საქართველოს შრომის კოდექსი, რომლის დებულებები მცირედით, მაგრამ მაინც განსხვავდება AETR და რეგულაცია (EC) N 561/2006-საგან. განსხვავებები შეეხება როგორც კვირეულ სამუშაო დროის ხანგრძლივობას - 40 სთ-ს



(საქართველოს მთავრობის გადაწყვეტილებით მძღოლთა პროფესია შეტანილია იმ სიაში, რომლის თანახმად ის გაზრდილია 48 სთ-მდე), ასევე ყოველდღიურ სამუშაო დროს - 8 სთ-ს ყოველდღიურ დასვენებას - 12 სთ-ს და შესვენებას - 60 წუთს (აქაც არის განხილული ის, რომ შესვენება უნდა დადგეს მხოლოდ 6 სთ-იანი სამუშაო დროის შემთხვევაში).

N	დასვენების (შესვენების) პერიოდი	ხანგრძლივობა, არა ნაკლებ	შენიშვნა
1	შესვენება	45 წთ	შესამდგომელია 15 წთ+30 წთ
2	ყოველდღიური დასვენება ერთი მძღოლის შემთხვევაში	11 სთ ყოველ 24 სთ-ში	შესამდგომელია 3 სთ+9 სთ; დასაშვებია 9 სთ კვირაში 3-ჯერ
3	ყოველდღიური დასვენება ორი მძღოლის შემთხვევაში	9 სთ ყოველ 30 სთ-ში	-
4	ყოველკვირეული დასვენება	45 სთ, მიმდევრობით	დასაშვებია 24 სთ, შემდგომი 2 კვირის განმავლობაში კომპენსაციით

განსხვავება არის ასევე კვირაში სამუშაო დღეების რაოდენობაზე და შრომის კოდექსი უშვებს 6 სამუშაო დღეს სისტემატურად, ხოლო AETR და რეგულაცია (EC) N 561/2006 სისტემატურად 5 სამუშაო დღეს ითვალისწინებს და 6 სამუშაო დღეს უშვებს მხოლოდ იმ შემთხვევაში, როდესაც მოხდება მომდევნო 2 კვირის განმავლობაში ამ დასვენების დანაკლისის კომპენსაცია.

განსხვავება კანონმდებლობის მოთხოვნებს შორის განსაკუთრების საგრძნობია იმ შემთხვევაში, როდესაც მძღოლს უწევს მუშაობა ერთდროულად ადგილობრივ ან შიდა გადაყვანებზე და საერთაშორისო გადაყვანებზე. ამ დროს AETR-ს და რეგულაცია (EC) N 561/2006-ს თანახმად მძღოლებს აქვთ ვალდებულება წარუდგინონ მაკონტროლებელ ორგანოებს შემოწმების დღის და გავლილი 28 დღის ანგარიში შესაბამისი ფორმატით, სადაც უნდა იყოს დაცული საერთაშორისოდ დადგენილი მოთხოვნები და არა ქვეყნის შიდა.

ვინაიდან ქვეყნის რეგულარული შიდა და ადგილობრივი გადაყვანები ხორციელდება დადგენილი განრიგების მიხედვით, ჩვენი რეკომენდაციებია მოხდეს ამ განრიგების ისეთი პრინციპებით შედგენა ამ შემთხვევების/განსხვავებების პრევენციის მიზნით, რომ იყოს დაცული ორივე მოთხოვნა.

განრიგების შედგენის სარეკომენდაციო ზღვრები უნდა დადგინდეს პრინციპით: სამუშაო დროები AETR-ს და რეგულაცია (EC) N 561/2006-ს შესაბამისად და შრომის კოდექსის შესაბამისად შეირჩეს უფრო მცირე - მხოლოდ 8-9 სთ, ყოველდღიური დასვენება პრინციპით უფრო დიდი და შეირჩეს - 12 სთ, შესვენება ასევე უფრო დიდი - 60 წთ და ყოველკვირეული დასვენება ასევე უფრო დიდი და ეს იქნება 45 სთ.

სხვა შემთხვევაში საქართველოში მომუშავე მძღოლებს შეექმნებათ სერიოზული პრობლემები პირველივე საგზაო შემოწმების დროს.

საერთაშორისო წესების თანახმად ასეთ შემთხვევაში მძღოლებმა თან უნდა იქონიონ სპეციალურად ამ მიზნებისათვის გაეროს მიერ დადგენილი ბლანკის შევსება უნდა მოხდეს შიდა გადაყვანებიდან საერთაშორისო გადაყვანების განხორციელების დაწყებამდე რაც შეიძლება ახლო პერიოდში და უნდა მოინიშნოს ბლანკის მე-14-დან 19-ს ჩათვლით რომელიმე მხოლოდ ერთი პუნქტი, გამომდინარე თუ რას საქმიანობას ახორციელებდა

მძღოლი ქვეყნის ტერიტორიაზე. ჩამონათვალი შეიცავს პერიოდებს ავადმყოფობის ან შვებულებაში ყოფნის დროს, ისეთი ავტომობილის მართვას, რომელიც არ საჭიროებს დადგენილი რეჟიმების დაცვას, სხვა სახის სამუშაოს და მოცდის რეჟიმებს. ამ ქმედებების საფუძველი და მიზანია ის, რომ არ მოხდეს რაიმე სახის საქმიანობის შედეგად დადგენილი მძღოლის დაშვება სამართავად.

**ANNEX**

**ATTESTATION OF ACTIVITIES<sup>1</sup>  
(REGULATION (EC) 561/2006 OR THE AETR<sup>2</sup>)**

To be filled in by typing and signed before a journey. To be kept with the original control device records wherever they are required to be kept

**FALSE ATTESTATIONS CONSTITUTE AN INFRINGEMENT**

**Part to be filled in by the undertaking**

- (1) Name of the undertaking: \_\_\_\_\_
- (2) Street address, postal code, city, country: \_\_\_\_\_, \_\_\_\_\_, \_\_\_\_\_, \_\_\_\_\_
- (3) Telephone number (including international prefix): \_\_\_\_\_
- (4) Fax number (including international prefix): \_\_\_\_\_
- (5) E-mail address: \_\_\_\_\_

**I, the undersigned:**

- (6) Name and first name \_\_\_\_\_
- (7) Position in the undertaking: \_\_\_\_\_

**declare that the driver:**

- (8) Name and first name: \_\_\_\_\_
- (9) Date of birth (day/month/year): \_\_\_\_\_/\_\_\_\_\_/\_\_\_\_\_
- (10) Driving licence or identity card or passport number: \_\_\_\_\_
- (11) who has started to work at the undertaking on (day/month/year): \_\_\_\_\_/\_\_\_\_\_/\_\_\_\_\_

**for the period:**

- (12) from (hour/day/month/year): \_\_\_\_\_/\_\_\_\_\_/\_\_\_\_\_
- (13) to (hour/day/month/year): \_\_\_\_\_/\_\_\_\_\_/\_\_\_\_\_
- (14)  was on sick leave\*\*\*
- (15)  was on annual leave\*\*\*
- (16)  was on leave or rest\*\*\*
- (17)  drove a vehicle exempted from the scope of Regulation (EC) 561/2006 or the AETR\*\*\*
- (18)  performed other work than driving\*\*\*
- (19)  was available\*\*\*
- (20) Place: \_\_\_\_\_ Date: \_\_\_\_\_

Signature: \_\_\_\_\_

- (21) I, the driver, confirm that I have not been driving a vehicle falling under the scope of Regulation (EC) 561/2006 or the AETR during the period mentioned above.

(22) Place: \_\_\_\_\_ Date: \_\_\_\_\_

Signature of the driver: \_\_\_\_\_

<sup>1</sup> This form is available in electronic and printable versions at the following address: <http://ec.europa.eu>

<sup>2</sup> European Agreement concerning the Work of Crews of Vehicles engaged in International Road Transport.

\*\*\* Choose only one box

## დასკვნა

აუცილებელ პირობას წარმოადგენს გრაფიკების შედგენის დროს იმ შემთხვევისათვის, როდესაც საჭირო ხდება კვირაში 48 სთ-ს რეალიზება, აუცილებლად გამოვიყენოთ მუშაობის 2 თანმიმდევრულ კვირიანი მოქნილი გრაფიკი, რა დროსაც შეგვეძლება ერთი კვირის შემცირების ხარჯზე მოხდეს მეორე კვირის გახანგრძლივება ისე, რომ მათმა ჯამმა არ გადააჭარბოს 90 სთ-ს. ასევე ყოველკვირეული დასვენების რეჟიმები ისე უნდა შეირჩეს, რომ გათვალისწინებული იყოს შიდა გადაყვანების დროს ნებადართული კვირეული 24 სთ-ანი დასვენების კომპენსაცია მომდევნო 2 კვირის განმავლობაში იმ პირობით, რომ საშუალოდ გამოვიდეს არა ნაკლებ 45 სთ.

ტაქოგრაფის გამოყენების დანერგვა მნიშვნელოვნად შეამცირებდა საგზაო-სატრანსპორტო შემთხვევებს ავტობუსებისა და მიკროავტობუსების მონაწილეობით. მნიშვნელოვნად შემცირდებოდა ის ეკონომიკური, სოციალური დანახარჯები, რომლებიც მოსდევს საგზაო-სატრანსპორტო შემთხვევებს, მით უმეტეს, როცა მგზავრთა გადაყვანაზე ვსაუბრობთ.

## გამოყენებული წყაროები და ლიტერატურა:

1. ე. დარჩიაშვილი, ვ. მარგიშვილი, შ. ურიადმყოფელი - მძღოლთა შრომისა და დასვენების რეჟიმები და მათი აღმრიცხველი საკონტროლო მოწყობილობა - ტაქოგრაფი. საქართველოს ეკონომიკისა და მდგრადი განვითარების სამინისტრო სსიპ სახმელეთო ტრანსპორტის სააგენტო. LAND TRANSPORT AGENCY [WWW.LTA.GOV.GE](http://WWW.LTA.GOV.GE) 2015 წ. გვ.126.;
2. საქართველოს შინაგან საქმეთა სამინისტრო, 2015 წლის კვლევა;
3. ტაქოგრაფის სახელმძღვანელო, სახმელეთო ტრანსპორტის სააგენტო, 2015 წ.

## **Обеспечение режима труда и отдыха водителей при внутренних и местных регулярных пассажирских перевозках**

**Элизбар Дарчиашвили, Хатуна Мгебришвили**

### **Резюме**

В статье рассматривается установление режимов труда и отдыха водителей, а во второй части - правила использования контрольного устройства защиты этих режимов - тахографа. Пороговые значения режимов труда и отдыха водителей, соблюдение которых оказывает решающее влияние на безопасность дорожного движения.

## **Ensuring the work and rest regime of drivers during domestic and local regular passenger transportation**

**Elizbar Darchiashvili, Khatuna Mgebrishvili**

### **Abstract**

The article discusses the establishment of rules for the work and rest modes of drivers, and in the second part - the rules for using the control device for protecting these modes - the tachograph. Threshold values of work and rest schedules for drivers, compliance with which has a decisive impact on road safety.

# საგზაო პირობების გავლენა ავტომობილების მიერ სათბურის გაზების გამოყოფაზე კონსტანტინე მჭედლიშვილი\*, ცოტნე გოროზია\*\*

\*პროფესორი, საქართველოს ტექნიკური უნივერსიტეტი, E-mail: k\_mchedlishvili@mail.ru

\*\*დოქტორანტი, საქართველოს ტექნიკური უნივერსიტეტი, E-mail: tsofnegorozia9@gmail.com

(საქართველოს ტექნიკური უნივერსიტეტი, მ. კოსტავა ქ. №77, 0175, თბილისი,  
საქართველო)

**რეზიუმე:** განხილულია საგზაო მოძრაობის შედეგად წარმოქმნილი ეკოლოგიური პრობლემების გამომწვევი მიზეზები: ავტომობილთა გამონაბოლქვში წარმოქმნილი ტოქსიკური გაზები, საბურავებისა და ფენილების ცვეთის პროდუქტები, ხმაური და ვიბრაციები, გარემოს დაზიანება საგზაო ინფრასტრუქტურის მშენებლობისას დაშვებული შეცდომების და მოძრაობის ორგანიზაციის მეთოდებისა და საშუალებების არასათანადო შერჩევით. წარმოდგენილია ავტომობილების მოძრაობის კონსტრუქციული სრულყოფი-სათვის საჭირო ღონისძიებები, საგზაო ინფრასტრუქტურის და მოძრაობის ორგანიზაციის გაუმჯობესების მიმართულებანი. ჩვენ მიერ შემუშავებულია ემპირიული ფორმულები, რომლებიც ასახავენ გაზის ტრასის ელემენტების ზეგავლენას მუხთავი გაზის გამოყოფაზე. **საკვანძო სიტყვები:** გარემოს დაცვა, ინფრასტრუქტურული ღონისძიებები, ავტომობილთა კონსტრუქციული სრულყოფა, მოძრაობის ორგანიზაცია.

## შესავალი

თანამედროვე ავტომობილის თბური შიდა წვის ძრავები მუშაობის პროცესში 300-მდე მანვნი ნივთიერებას გამოაფრქვევენ, საიდანაც 10-ზე მეტი კანცეროგენული და 100-ზე მეტი ტოქსიკური ნაერთია. მაგალითად, თბური ძრავების ერთ-ერთ ყველაზე გავრცელებულ სახეობაში შიდაწვის ძრავაში მიმდინარე მუშა პროცესების შედეგად, გამონაბოლქვი აირების სახით, ატმოსფეროში გამოიყოფა წყლის ორთქლი ( $H_2O$ ), ნახშირორჟანგი ( $CO_2$ ), ჟანგბადი ( $O_2$ ), აზოტი ( $N_2$ ) და ადამიანის სიცოცხლისათვის განსაკუთრებით საშიში უფერო და უსუნო მხუთავი აირი ნახშირორჟანგი ( $CO$ ), აგრეთვე დაუწვავი ნახშირწყალბადები.

საქართველოში 2023 წლიდან გამკაცრდა  $CO$ -ს კონტროლი ავტომობილთა ტექნიკური დათვალიერებისას. მხუთავი გაზი განსაკუთრებით საშიშია დახურულ სივრცეში, მიწისქვეშა პარკინგებზე და ავტო ფარეხებში ავტომობილების გადაადგილებისას. გზებზე და ქუჩებში  $CO$  სწრაფად ნეიტრალდება და კარგავს ტოქსიკურობას, მაგრამ ინარჩუნებს უარყოფით ზეგავლენას გარემოზე. იწვევს ე.წ. სათბურის ეფექტს, ამიტომ დიდი მნიშვნელობა ენიჭება საგზაო პირობებისა და თბური ძრავებიდან გამოყოფილი მხუთავი გაზის მოცულობას შორის რაოდენობრივი კავშირების დამყარებას, რათა გზებისა და ქუჩების საპროექტო ვარიანტების შერჩევისას უპირატესობა მივანიჭოთ მათ, რომელიც მინიმალურად ახდენს ზემოქმედებას გარემოზე, სათბურის გაზების გამოყოფის თვალსაზრისით.

ავტომობილების გადაადგილებისთვის ოპტიმალური პირობების შესაქმნელად, პირველრიგში, უნდა დაკმაყოფილდეს მოძრაობის უსაფრთხოების მოთხოვნები[1]. მსოფლიოს ქვეყანათა უმრავლესობაში ავტომობილიზაციის მაღალი დონის გამო ეს მოთხოვნები შეგვიძლია წარმოვადგინოთ ორ შემადგენელ ნაწილად: მოძრაობის მონაწილეთა დაცვა სხეულის დაზიანებისაგან საგზაო სატრანსპორტო შემთხვევათა (სსშ) შედეგად და გარემოსა და ადამიანთა დაცვა საგზაო მოძრაობის მიერ შექმნილი ეკოლოგიური პრობლემისაგან.

გარემოს დაცვაში თავის მხრივ შეგვიძლია გამოვყოთ მიმართულებები:

გარემოს დაცვა თბური ძრავებისაგან გამოტყორცნილი მომწამვლელი ნივთიერებების, საბურავებისა და ფენილების ცვეთის პროდუქტების, ხმაურისა და ვიბრაციებისაგან. ამ მიზნით უდიდესი მნიშვნელობა აქვს მოძრავი შემადგენლობის კონსტრუქციულ სრულყოფასა და საექსპლუატაციო მასალებისადმი (საწვავ-საზეთი, რეზინა და ა.შ) ტექნიკური მოთხოვნების გამკაცრებას ეკოლოგიური უსაფრთხოების თვალსაზრისით.

ინფრასტრუქტურული ღონისძიებები: გარემოს ხელყოფა და დაცვა მაღალი ყრილების, ღრმა ჭრილებისა და ფერდობებზე მნიშვნელოვანი შეჭრებისაგან; მეწყერების, ქვათაცვენისა და ზვავებისაგან დაცვა გზის ღერძის სივრცეში სათანადო განივი პროფილების გაყვანით; ხელოვნურ ნაგებობათა ტიპებისა და ზომების შერჩევით; მაღალი საექსპლუატაციო თვისებების მქონე საგზაო სამოსების აგებით.

გარემოს დაცვა მოძრაობის ორგანიზაციის მეთოდებითა და საშუალებებით, აგრეთვე მოწყობა-გაფორმების ელემენტებით, გზების სათანადო უზრუნველყოფით.

### ძირითადი ნაწილი

ავტოტრანსპორტის წილი გამონახობლქვი ნივთიერებებით ატმოსფეროს დაბინძურებაში საშუალოდ შეადგენს 45...50%-ს, დიდ ქალაქებში კი აღწევს 90%-ს. გარემოსა და ადამიანის ჯანმრთელობაზე ავტომობილის გამონახობლქვი აირებით მიყენებული ზიანის შესამცირებლად, UNECE-ის რეკომენდაციების შესაბამისად, ეკოლოგების მიერ შემუშავდა ევროპული ეკოლოგიური სტანდარტი „ევრო – EURO“ (Euro Emission standard), რომელიც ძალაში შევიდა 1992 წლიდან. იგი საკანონმდებლო დონეზე არეგლამენტირებს მავნე ნივთიერებების შემადგენლობას ავტომობილის გამონახობლქვ აირებში, აკონტროლებს სატრანსპორტო საშუალებებში მათ რაოდენობას.

**EURO** სტანდარტს აქვს ვერსიები, რომლებიც იცვლება გარემოს დაბინძურებაზე მოთხოვნების ეტაპობრივი გამკაცრების შესაბამისად. მსუბუქი ავტომობილის გამონახობლქვში, ევროსტანდარტით ლიმიტირებული, ტოქსიკური და კანცეროგენული ნივთიერებების რაოდენობა წარმოდგენილია ცხრილში 1.

ტოქსიკური გამონახობლქვის სტანდარტები სულ უფრო და უფრო მკაცრდება. მაგალითად, **EURO 6** სტანდარტით განსაზღვრული მავნე ნივთიერებების რაოდენობა საერთო ემისიიდან ზოგიერთ შემთხვევაში 97 %-ით დაბალია **EURO 1**-თან შედარებით. უახლოეს მომავალში ევროკავშირი აპირებს ახალი **EURO 7** სტანდარტის შემოღებას, სადაც კიდევ უფრო გამკაცრებული იქნება ეკოლოგიური მოთხოვნები.



გამონაბოლქვის ევროსტანდარტები მსუბუქი ავტომობილებისთვის, გ/კმ						
დასახელება	შემოღების თარიღი	CO	HC	NO <sub>x</sub>	HC+ NO <sub>x</sub>	C
დიზელის ძრავიანი ავტომობილები						
EURO 1	01.1992	2,72 (3,16)	-	-	0,97(1,13)	0,14(0,18)
EURO 2	01.1996	1,0	-	-	0,70	0,08
EURO 3	01.2000	0,64	-	0,50	0,56	0,05
EURO 4	01.2005	0,50	-	0,25	0,30	0,025
EURO 5	09.2009	0,50	-	0,18	0,23	0,005
EURO 6	09.2014	0,50	-	0,08	0,17	0,0025
ბენზინის ძრავიანი ავტომობილები						
EURO 1	07.1992	2,72(3,16)	-	-	0,97(1,13)	-
EURO 2	01.1996	2,20	-	-	0,50	-
EURO 3	01.2000	2,30	0,20	0,15	-	-
EURO 4	01.2005	1,00	0,10	0,08	-	-
EURO 5	09.2009	1,00	0,10	0,06	-	0,005
EURO 6	09.2014	1,00	0,10	0,06	-	0,005

ვითვალისწინებთ, რა საგზაო პირობების დიდ როლს სატბურის გაზების გამოყოფაში, ჩვენ მიერ შემუშავებულია ემპირიული ფორმულები, რომლებიც ასახავენ გზის ტრასის ელემენტების ზეგავლენას მუხთავი გაზის გამოყოფაზე.

როგორც ექსპერიმენტულმა გამოკვლევებმა გვიჩვენა შიდაწვის ძრავიანი ავტომობილებისათვის დამახასიათებელია მრუდეებზე მოძრაობისას გამონაბოლქვში ნახშირჟანგის რაოდენობის ზრდა. ზრდა მიმდინარეობს მრუდის რადიუსის სიდიდის უკუპროპორციულად. ამ მოვლენის ახსნა შესაძლებელია მრუდეზე მოძრაობის წინააღმდეგობის, კერძოდ გორვის წინააღმდეგობის ზრდით ტრაექტორიის მრუდწიროვნების გამო, რაც წარმოშობს მოძრაობის დამატებით წინააღმდეგობას.

ქვემოთ ცხრილში 2 ნაჩვენებია ამ მოვლენის ექსპერიმენტული შესწავლის შედეგები და ჩვენს მიერ ჩატარებული კვლევის შედეგად მიღებული ანალიზური გამოსახულებით ნაანგარიშევი მონაცემების შედარება ექსპერიმენტულთან

ცხრ. 2

CO - ს ზრდა გამონაბოლქვში მრუდის რადიუსის მიხედვით %						
R, მ a, მ/წმ <sup>2</sup>	50	100	150	200	250	300
0,35 მ/წმ <sup>2</sup>	$\frac{78,7}{75,25}$	$\frac{64,2}{65}$	$\frac{55,3}{57,12}$	$\frac{48,2}{49,6}$	$\frac{40,4}{44,6}$	$\frac{20,3}{39,4}$
0,70 მ/წმ <sup>2</sup>	$\frac{50,1}{50,0}$	$\frac{43,4}{40,0}$	$\frac{34,8}{32,0}$	$\frac{28,3}{24,0}$	$\frac{20,3}{20,0}$	$\frac{8,2}{15,0}$



შენიშვნა: მრიცხველშია ექსპერიმენტული მონაცემები, ნიშნულში ჩვენ მიერ შერჩეული გამოსახულებით თეორიული ანგარიშით მიღებული.

თეორიული მონაცემები მიღებულია ჩვენ მიერ შემუშავებული ანალიზური გამოსახულებებით მრუდზე რეალიზებული შენელების სიდიდის მიხედვით.

შენელებისათვის  $0,35\text{მ/წმ}^2$  ძალაშია გამოსახულება

$$\Delta=100-3,5 R^{0,5}, \%$$

სადაც:  $\Delta$ -CO-ს რაოდენობის ზრდაა გამონაბოლქვში, %

R- მრუდის რადიუსია, მ.

როდესაც შენელება მრუდზე შეადგენს  $0,7\text{მ/წმ}^2$  ანუ დამუხრუჭება უფრო მკვეთრია და შესაბამისად სიჩქარე ნაკლები რაც ამცირებს გორვის წინააღმდეგობას, მიზანშეწონილია გამოვიყენოთ შემდეგი გამოსახულება

$$\Delta=75-3,5 R^{0,5},$$

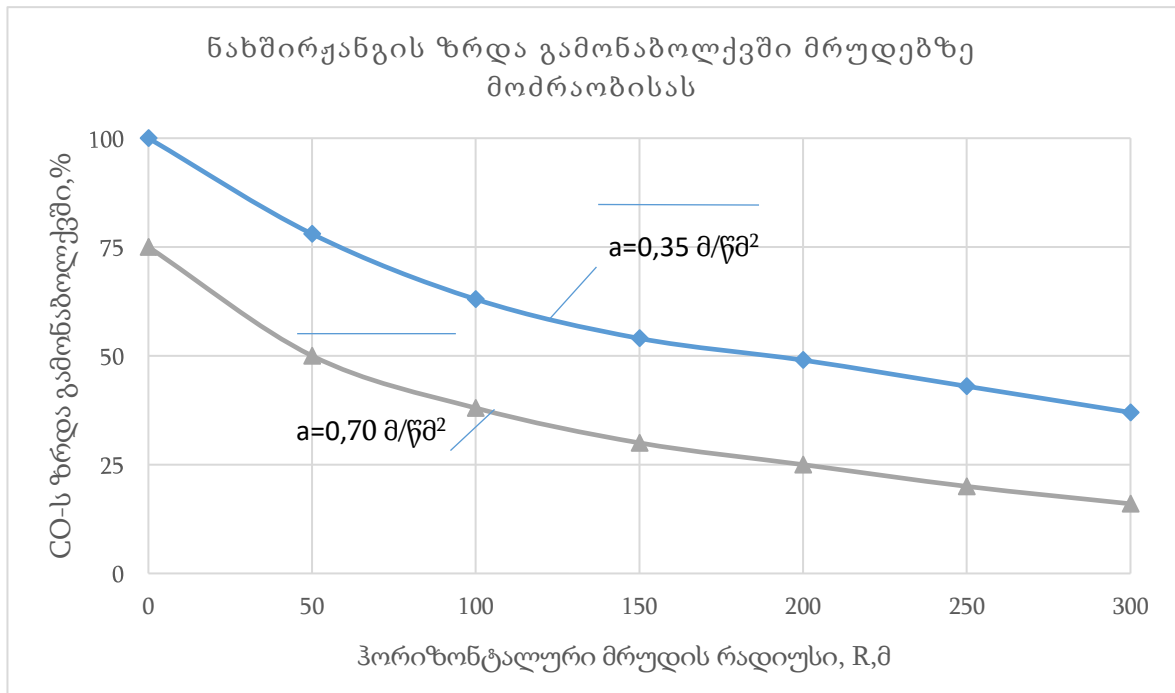
სიმბოლოთა მნიშვნელობანი იგივეა.

ექსპერიმენტული გამოკვლევა ჩატარებულია საშუალო ლიტრაჟიან მსუბუქ ავტომობილზე შიდაწვის კარბორატორიანი ძრავით, სიმძლავრით 75 ცხ.ძ. ნახშირბადის მოცულობა ფიქსირდებოდა სტანდარტული გაზანალიზატორით რომლის სიზუსტე შეადგენდა 5%-ს გაზომვათა დიაპაზონის ზედა ზღვრიდან.

მრუდზე მისასვლელ მონაკვეთებზე ავტომობილი მოძრაობდა  $90\text{კმ/სთ}$  სიჩქარით. მრუდზე კი  $\text{CH}_4\text{II} \parallel - D, 5 - 85$ -ით განსაზღვრული სიჩქარით. ამ სიჩქარის მისაღწევად შენელება გამოიყენებოდა ორი სიდიდით  $0,35\text{მ/წმ}^2$  და  $0,70\text{მ/წმ}^2$ .

ანალიზური გამოსახულებებით ნაანგარიშევი მონაცემები კარგ თანხვედრაშია  $R \leq 300\text{მ}$  დიაპაზონში, რაც საშუალებას იძლევა წარმატებით გამოვიყენოთ ისინი პრაქტიკული მიზნებისთვის.

სურ. 1



ექსპერიმენტული მონაცემების ანალიზმა გვიჩვენა, რომ გრძივი ქანობის ზრდა იწვევს გამონაბოლქვში ნახშირჟანგის რაოდენობის მკვეთრ ზრდას. იხ. სურ. 2 და ცხრ. 3.

ზრდა განსაკუთრებით შესამჩნევია 5% და მეტი გრძივ ქანობიან მონაკვეთებზე. ექსპერიმენტული მონაცემების თეორიულმა დამუშავებამ გვიჩვენა, რომ ეს პროცესი შეიძლება აღიწეროს განტოლებით

$$\Delta_{co} = a \cdot i^n$$

სადაც:  $\Delta_{co}$  - ნახშირჟანგის ზრდა გამონაბოლქვში, %;

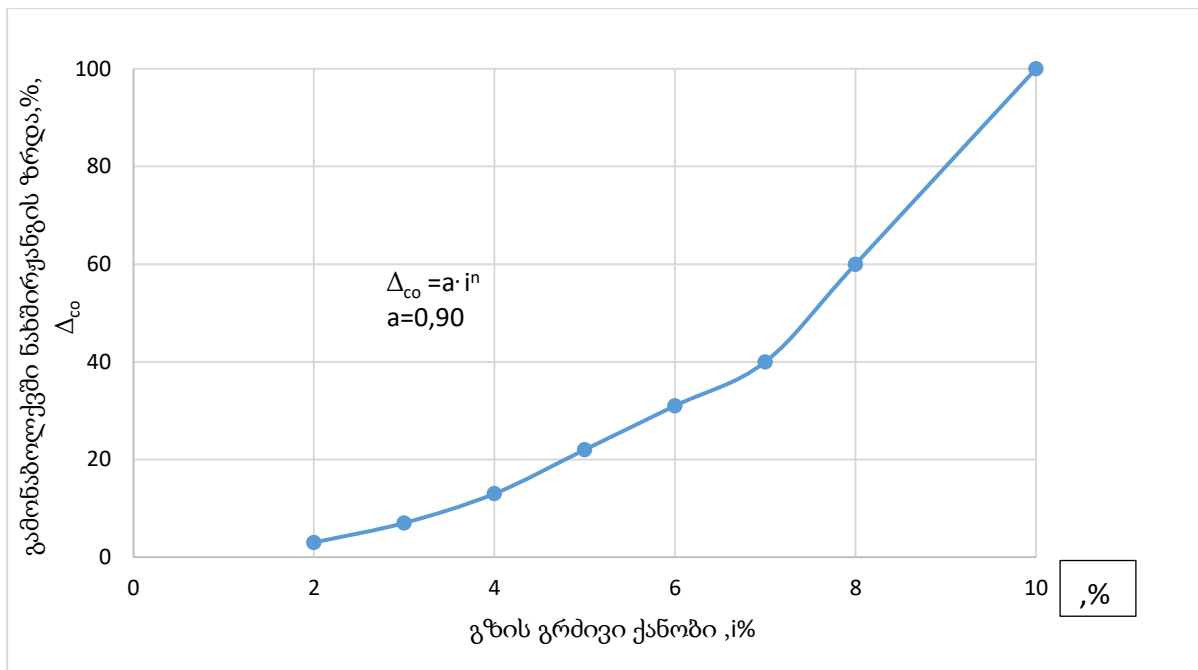
a- ემპირიული კოეფიციენტი. a=90;

i- გზის გრძივი ქანობი, %;

n-ემპირიული კოეფიციენტი. n=2.

ექსპერიმენტული და თეორიული მონაცემების შედარებამ გვიჩვენა თეორიული ნაანგარიშევი მონაცემების კარგი თანხვედრა 2÷10% დიაპაზონში, რაც სრულიად საკმარისია პრაქტიკული მიზნებისთვის გამოსაყენებლად.

სურ. 2



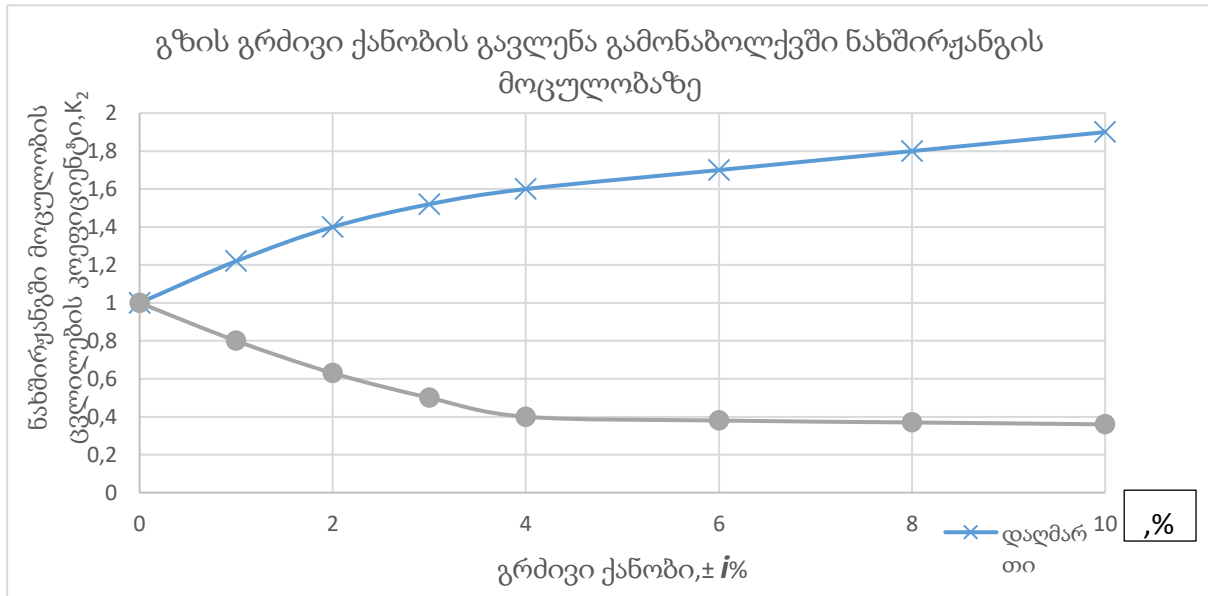
ცხრ. 3

გამონაბოლქვში ნახშირჟანგის რაოდენობის ზრდა გზის გრძივი ქანობის მატებისგან								
გზის გრძივი ქანობი, %	2,0	3,0	4,0	5,0	6,0	7,0	8,0	10,0
CO გამონაბოლქვის ზრდა, % ექსპერიმენტით	3,60	6,20	13,7	21,9	30,3	38,8	60,2	95,1
CO გამონაბოლქვის ზრდა, % თეორიული ანგარიშით	3,60	8,10	14,40	22,50	32,40	44,10	57,60	90,0

გზებზე შემხვედრი მიმართულების ცალკე ტრასირება მეტად ხშირია რთული რელიეფის პირობებში. ასეთ შემთხვევებში მიზანშეწონილია გამონაბოლქვის შეფასება აღმართებსა და დაღმართებზე.

სხვადასხვა გრძივ ქანობებზე აღმართებსა და დაღმართებზე შიდაწვის ძრავიანი ავტომობილის მოძრაობის ექსპერიმენტული მონაცემების ანალიზმა გვიჩვენა მათი გრძივი ქანობების განსხვავებული გავლენა ნახშირჟანგის გამოყოფაზე. იხ. სურ. 3 და ცხრილები 4 და 5.

სურ. 3



ცხრ. 4

გრძივი ქანობის გავლენის კოეფიციენტი დაღმართზე მოძრაობისას, $K_i$ .					
გრძივი ქანობი	2	4	6	8	10
$K_i$ , ექსპერ.	1,42	1,64	1,73	1,81	1,88
$K_i$ , თეორიული	1,423	1,64	1,735	1,849	1,949

ცხრ. 5

გრძივი ქანობის გავლენის კოეფიციენტი აღმართზე მოძრაობისას, $K_i$ .					
გრძივი ქანობი	2	4	6	8	10
$K_i$ , ექსპერ.	0,65	0,43	0,38	0,35	0,34
$K_i$ , თეორიული	0,67	0,54	0,44	0,35	0,27

ავტომობილის მოძრაობისას CO-ს მოცულობაზე გრძივი ქანობის გავლენის კოეფიციენტის ჩვენ მიერ მიღებულ ანალიზურ გამოსახულებას აქვს შემდეგი სახე:

$$K_i = 1 + m \cdot i^{0.5}$$

სადაც: m-ემპირიული კოეფიციენტი,

i-გრძივი ქანობის აბსოლუტური სიდიდე, %

დაღმართზე მოძრაობისთვის m=0,30, აღმართზე მოძრაობის შემთხვევაში m=-0,23

### დასკვნა

ჰორიზონტალურ მრუდეებზე მოძრაობისას ნახშირჟანგის გამონაბოლქვი მნიშვნელოვნად მცირდება რადიუსის ზრდის შედეგად. ეს დაკავშირებულია მოძრაობის წინააღმდეგობის, კერძოდ, გორვის წინააღმდეგობის შესაბამისი შემცირებით მოძრაობის ტრაექტორიის სიმრუდის შემცირების გამო. ასეთი ცვლილების ხასიათი აღწერილია შესაბამისი ანალიზური გამოსახულებით, რაც საშუალებას იძლევა შევადაროთ ჰორიზონტალური მრუდის მონაკვეთები ნახშირჟანგის გამობოლქვის რაოდენობის სახით.

დაღმართში მოძრაობისას გრძივი ქანობის გავლენა იზრდება ქანობის ზრდასთან ერთად. რაც მეტია გრძივი ქანობი, მით უფრო მკვეთრია მისი გავლენა, მეტი ნახშირჟანგია გამონაბოლქვში. ეს შეიძლება აიხსნას დაღმართში მოძრაობისას ძრავის დამუხრუჭების რეჟიმში მუშაობით და ცილინდრებში საწვავის წვის პროცესის გაუარესებით.

აღმართში მოძრაობისას ნახშირჟანგის მოცულობა მცირდება ცილინდრებში საწვავის ინტენსიური წვის გამო. ეს ცვლილებები აღწერილია ჩვენ მიერ შემუშავებული ანალიზური გამოსახულებებით, რომელთა გამოყენება მიზანშეწონილია შემხვედრი მიმართულებების ცალკე ტრასირების პირობებში.

ჩვენ მიერ მიღებული ანალიზური გამოსახულებების გამოყენება შესაძლებელია გზის გარკვეული მონაკვეთების საპროექტო ვარიანტების შედარებისას, ეკოლოგიური თვალსაზრისით ოპტიმალური ვარიანტის ამოსარჩევად. პროფესორ კონსტანტინე მჭედლიშვილის მიერ შემუშავებული მეთოდიკით გზის გეგმაში სწორ, ჰორიზონტალურ მონაკვეთებზე ნახშირჟანგის რაოდენობის გაანგარიშებით მიღებული მონაცემების გამოყენებით.

### გამოყენებული წყაროები და ლიტერატურა:

1. Рябикив Н.А. Проектирование Автомобильных Дорог С Учетом Выполнения Требований Снижения Загрязнения Воздуха. Трубы Союздорний Исследования Совершенствования Норм Проектирования Автомобильных Дорог. Москва 194 г. Ц. 19-28;

2. Мchedlishvili K. Чкоидзе Г. Экологичность - необходим критерий Выбора проектного варианта Дороги.Ж."Транспорт" N 3-4 (59-60) 2015. Ц 33-36;
3. Air pollution emissions.Method of calculating vehicles emissions under computational modeling.Gost R56162-2020;
4. Мchedlishvili K. Чкоидзе Г. Расчет суммарных дорожных сопротивлений на дорогах в горной местности для технико-экономического планирования проектных решений. Ж. "Транспорт" N1-2, Тбилиси, 2015.с. 20-24.

## **Ecological problems of road traffic and the main directions for their solution**

**Konstantine Mchedlishvili, Tsotne Gorozia**

### **Abstract**

The article discusses the causes of environmental problems of road traffic: toxic gases emitted by thermal engines, wear products of tires and roadway surfaces; vibrations; noise; damage caused to the environment during the construction of roads, as well as with the wrong selection of methods and means of organizing traffic. Empirical formulas have been developed by us, which reflect the influence of road track elements on the release of charge gas.

## **Влияние дорожных условий на выбросы парниковых газов автомобилями**

**Константин Мchedlishvili, Цотне Горозия**

### **Резюме**

Рассматриваются причины возникновения экологических проблем, возникающих в результате дорожного движения: токсичные газы, образующиеся в выхлопах газом транспортныи средств, продукты износа покрышек и дорожного покрытия, шум и вибрация, ущерб окружающей среде из-за ошибок, допущенных при строительстве дорожной инфраструктуры и неправильного выбора методов и средств организации дорожного движения. Представлены мероприятия, необходимые для конструктивного совершенствования моделей автомобилей, направления совершенствования дорожной инфраструктуры и организации дорожного движения. Нами разработаны эмпирические формулы, отражающие влияние элементов дорожного покрытия в выхлоп удушующих газом.



უაკ 656.224

## სარკინიგზო ავტომატიკის და ტელემექანიკის სისტემებში საისრე ელექტროამძრავების მართვისას სამფაზა ინვერტორების მუშაობის განსაკუთრებული თვისებები

მერაბ ჩალაძე\*, მურთაზ პაპასკირი\*\*, პაპუნა ელიზბარაშვილი\*\*\*,  
მირიან ცოცხალაშვილი\*\*\*\*, გიორგი ცხომელიძე\*\*\*\*\*

\*აკადემიური დოქტორი, საქართველოს ტექნიკური უნივერსიტეტი,  
E-mail: [merabichaladze50@gmail.com](mailto:merabichaladze50@gmail.com)

\*\*ასოცირებული პროფესორი, საქართველოს ტექნიკური უნივერსიტეტი,  
E-mail: [murtaz.papaskiri@mail.ru](mailto:murtaz.papaskiri@mail.ru)

\*\*\*ასოცირებული პროფესორი, საქართველოს ტექნიკური უნივერსიტეტი,  
E-mail: [p.elizbarashvili@gtu.ge](mailto:p.elizbarashvili@gtu.ge)

\*\*\*\*აკადემიური დოქტორი, საქართველოს ტექნიკური უნივერსიტეტი,  
E-mail: [m.cocxala@gmail.com](mailto:m.cocxala@gmail.com)

\*\*\*\*\*მაგისტრანტი, საქართველოს ტექნიკური უნივერსიტეტი,  
E-mail: [giorgi.giorgi.cxomelidze@gmail.com](mailto:giorgi.giorgi.cxomelidze@gmail.com)

(საქართველოს ტექნიკური უნივერსიტეტი, მ. კოსტავას №77, 0175, თბილისი,  
საქართველო)

**რეზიუმე:** ნაშრომში განხილულია ხიდური გარდამქმნელების ელ.სქემების გამოყენების თავისებურებები, რომლებიც განკუთვნილია ცვლადი ძაბვით მომუშავე ძრავების სამართავად. ასეთი ძრავები მოთავსებულია რკინიგზის ავტომატიკის, ტელემექანიკის და კომპიუტერული სისტემების სავსე მოწყობილობებში (საისრე ელ.ამძრავები, ავტოსდექები). განსაკუთრებული ყურადღება ექცევა გარდამქმნელების ელ.სქემების მოქმედების მარგი ქმედების კოეფიციენტის შეფასებას და ნაჩვენებია, რომ დაბალი სიხშირის რეჟიმების გამოყენებით ძალური ჩამკეტების მუშაობისას შეიძლება მნიშვნელოვნად გაიზარდოს გარდამქმნელების მოქმედების ეფექტურობა. შემოთავაზებულია ტექნიკური გადაწყვეტილება ხუთსადენიანი ელ. სქემების განსახორციელებლად, რომელსაც გამოვიყენებთ ცვალეზადი დენის ელ. ძრავას სამართავად, კერძოდ A, B, C, სამი ფაზის მიწოდებისას ძრავა ტრიალებს საათის ისრის მიმართულებით, ხოლო საათის ისრის საწინააღმდეგო მიმართულებით დასატრიალებლად იგივე მომჭერებზე მიეწოდება ფაზები B, A, C თანმიმდევრობით. განხილულია ფუნქციონალური გარდამქმნელებში გამოყენებული ელექტრომაგნიტური რელეების მნიშვნელობის საკითხები, როგორც ფუნქციონალური გადამყვანების ნაწილი, რაც უზრუნველყოფს მოწყობილობების მოქმედების საიმედოობას და აპარატურის ელექტრო უსაფრთხოებას.

**საკვანძო სიტყვები:** ფუნქციონალური გარდამქმნელი, ელ. ამძრავი, სამფაზა ასინქრონული ძრავა, ინვერტორი, ხიდური ელ. სქემა, მარგი ქმედების კოეფიციენტი.

### შესავალი

სარკინიგზო ავტომატიკის სისტემებში სავსე მოწყობილობების მართვა მოითხოვს სპეციალური მოწყობილობების გამოყენებას, რომლებსაც აქვთ არასიმეტრიული მტყუნებების მახასიათებლები. ასეთი მოწყობილობები შეიძლება შეიქმნას არასიმეტრიული მტყუნებების მქონე ელემენტების საფუძველზე, რომელთა შორისაც ყველაზე ხშირად განიხილება პირველი კლასის საიმედოობის ელექტრომაგნიტური რელეები. თუმცა, უფრო პროგრესული გამოსავალი არის უკონტაქტო სქემების გამოყენება, რომლებიც ნახევარგამტარულ ელემენტებზეა დაფუძნებული. უსაფრთხოება ამ შემთხვევაში უზრუნველყოფილია ფუნქციონალური გარდამქმნელების გამოყენებისას, რომელთაც აქვთ არასიმეტრიული მტყუნებები და ნახევარგამტარული ელემენტების დინამიკური მუშაობის პირობა.

### ძირითადი ნაწილი

სამფაზა ასინქრონული ცვალებადი დენის ძრავების გარდამქმნელები იქმნება ხიდური ელექტრული წრედის გამოყენებით, რომელიც წარმოქმნის ალტერნატიულ ძაბვას და აუცილებელია ძრავას სტატორში მბრუნავი მაგნიტური ველის მისაღებად. ასეთი გადამქმნელები ხშირად გამოიყენება იმ შემთხვევებში, როდესაც აუცილებელია ასინქრონული ძრავების მუშაობის უზრუნველყოფა სამფაზა ელექტროქსელის არარსებობის შემთხვევაში. გარდა ამისა, სამფაზა ინვერტორები შეუცვლელია რეგულირებადი ბრუნვის სიხშირის მქონე ამძრავების შესაქმნელად. ასინქრონული ძრავის ბრუნვის სიხშირე საკმაოდ მყარად არის დაკავშირებული მკვებავი ძაბვის სიხშირესთან, ამიტომ ბრუნვის სიხშირის რეგულირების ამოცანა უთანაბრდება ინვერტორის ძალურ ჩამკეტებზე მმართველი სიგნალების სიხშირის პარამეტრების ცვლილებას. ცნობილია, რომ ასინქრონული ძრავას ბრუნვის მომენტი განისაზღვრება მის გრაგნილებში გამდინარე დენის ძალის სიდიდით. გრაგნილების წინააღმდეგობას აქვს ინდუქციური ხასიათი, რაც ნიშნავს, რომ ის დამოკიდებულია სიხშირეზე. ამიტომ, ბრუნვის სიხშირის ცვლილებისას უცვლელი ბრუნვითა რიცხვის შესანარჩუნებლად აუცილებელია ძრავას გრაგნილებზე დარჩეს ძაბვის რეგულირების შესაძლებლობა. ამის მიღწევა შესაძლებელია განვი-იმპულსური მოდულაციის (გიმ) გამოყენებით. განვი-იმპულსური მოდულაციის გამოყენება არა მხოლოდ ძაბვის რეგულირების საშუალებას იძლევა, არამედ აქვს საშუალება სინუსოიდისთან მიახლოებული ძაბვის ფორმაც მიიღოს.

ისეთი მოწყობილობებისთვის, რომლებიც უზრუნველყოფენ დატვირთვის ასობით ვატი სიმძლავრის მართვას, ერთ ერთი მნიშვნელოვანი პარამეტრია მარგი ქმედების კოეფიციენტი (მქკ). მარგი ქმედების კოეფიციენტის სისდიდე მნიშვნელოვანია არა მხოლოდ ელექტროენერჯის დაზოგვის თვალსაზრისით, არამედ ამ პარამეტრს აქვს პირდაპირი გავლენა მასიური გაბარიტის (ზომის) მქონე მოწყობილობებზე, რადგანაც ძალურ ელ.სქემებში სიხშირეების სიდიდე დამოკიდებულია სითბოს ამრიდების გაბარიტებზე. გარდა ამისა, მოწყობილობებში ენერჯის მნიშვნელოვანი დანაკარგები შეიძლება გამოწვეული იქნას იძულებითი გაგრილების საჭიროებისას, რაც ზრდის აპარატურის ღირებულებას და ხელს უწყობს მისი მოქმედების საიმედოობის შემცირებას.

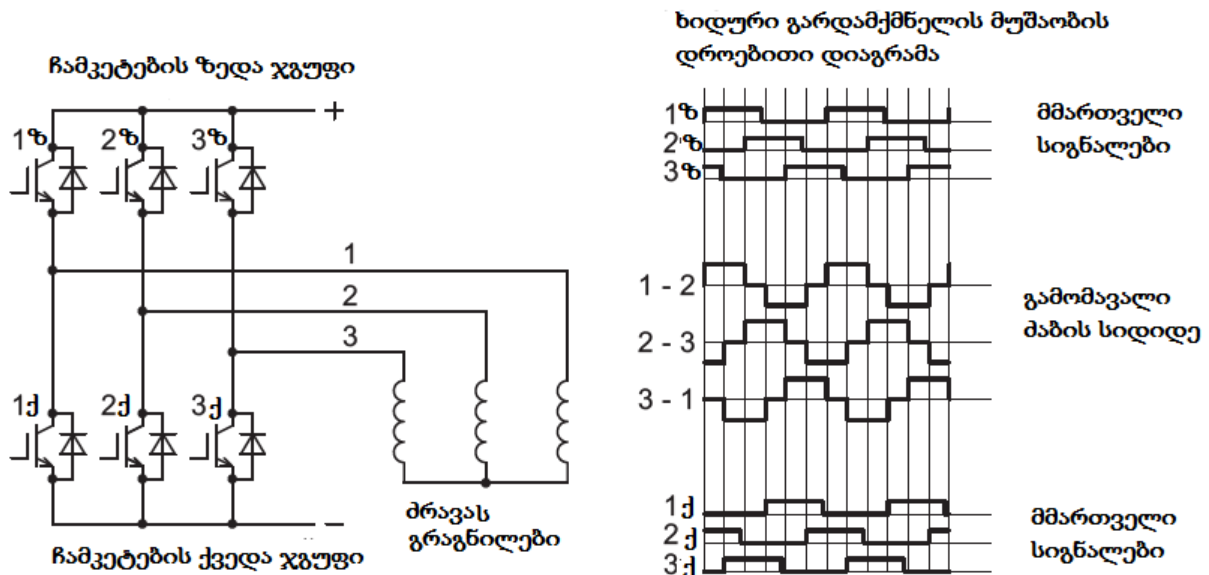
გარდამქმნელის ელ. სქემებში ენერჯის უდიდესი დანაკარგები მოდის კომუტაციური ელემენტების და ტრანსფორმატორების გადართვაზე (თუ ეს უკანასკნელი არსებობს).

ხიდური გარდამქმნელების ელ.სქემების მნიშვნელოვანი უპირატესობა ისაა, რომ იმ შემთხვევებში, როდესაც არ არის საჭირო გალვანური მიერთება და ძაბვის მასშტაბირება, დატვირთვა შეიძლება მიერთებული იყოს მაკომუტირებელ ელემენტებთან ტრანსფორმატორის გამოყენების გარეშე. ამ შემთხვევაში, მარგი ქმედების კოეფიციენტის განსაზღვრისას მხედველობაში მიიღება მხოლოდ ძალურ ჩამკეტებზე ენერჯის დანაკარგები. მარგი ქმედების კოეფიციენტის მნიშვნელობის შეფასებისას ჩვეულებრივია ცალკე განვიხილოთ სტატიკური დანაკარგები (დენის გამტარებში დანაკარგები) და დინამიკური დანაკარგები (გადართვის მომენტში დანაკარგები). დენის გამტარებში დანაკარგები წარმოიშობა მაშინ, როდესაც ძალური ჩამკეტები ღია მდგომარეობაშია და განისაზღვრება ძაბვის ვარდნით ჩამკეტებზე, როდესაც მათში გაედინება დენის ძალა. გადართვის მომენტისთვის დანაკარგები უმთავრესად გვხვდება ჩამკეტების გახსნისა და ჩაკეტვის დროს და მათი სიდიდე პირდაპირ არის დამოკიდებული გადართვის სიხშირეზე. განივ-იმპულსური მოდულაციის (გიმ) გამოყენება ჩვეულებრივ ასოცირდება ჩამკეტების მუშაობის მაღალ სიხშირესთან, რაც იწვევს გადართვის მნიშვნელოვანი დანაკარგების არსებობას. ამიტომ, გიმ-ის გამოყენება მოწყობილობების ფუნქციონალურ გარდამქმნელებში უნდა იყოს დასაბუთებული.

ძრავების მართვისათვის გარდამქმნელების გამოყენება მნიშვნელოვანია იმიტომ, რომ ასეთ შემთხვევაში არ არის აუცილებელი სინუსოიდალური ფორმის გამომავალი ძაბვის სიდიდის უზრუნველყოფა. გარდა ამისა, ელექტრული ცენტრალიზაციის სისტემებში სასრე ამძრავების მართვის მოწყობილობების შემუშავებისას, არ არის საჭირო ძრავაზე ბრუნვათა სიხშირისა და ძაბვის რეგულირება. ეს ნიშნავს, იმას რომ მოცემულ შემთხვევაში შესაძლებელია უარი ითქვას გიმ-ის გამოყენებაზე და გამოყენებულ იქნას ძალური ჩამკეტების მუშაობის დაბალი სიხშირის რეჟიმი, რომელშიც გადართვის სიხშირეს ექნება 50 ჰც-ის ტოლი სიდიდე (ნახ. 1). ასეთ სიხშირეზე შეიძლება დინამიური დანაკარგების უგულებელყოფა და ხიდური გარდამქმნელების ელ.სქემების მქვ-ს ეფექტურობა განისაზღვრება მხოლოდ უშუალოდ დენის გამტარში დანაკარგებით. ეს შესაძლებელს ხდის შეიქმნას გარდამქმნელები, რომელთა მარგი ქმედების კოეფიციენტი შეადგენს 95%-ზე მეტს. ფაზებს შორის ძაბვის ფორმას ექნება მართი კუთხის სახე, რომელთა იმპულსის ხანგრძლივობა ნახევარი ციკლის ხანგრძლივობის 2/3-ის ტოლი იქნება. გარდამქმნელებიდან გამომავალი ძაბვის ამპლიტუდა შეიძლება ჩაითვალოს მუდმივი ძაბვის სიდიდის ტოლად, რომელიც მიეწოდება ხიდურ ელ. სქემებს. თუ ხიდური ელ. სქემის კვების წყაროს წარმოადგენს გამართული ცვალებადი 220 ვ-ის სიდიდის ძაბვა, ინვერტორის მკვებავ სალტეზე წარმოიქმნება დაახლოებით 300 ვ მუდმივი ძაბვა, ხოლო ინვერტორის გამომავალი ძაბვის ეფექტური მნიშვნელობა იქნება 200 ვ. ეს კი საშუალებას იძლევა მსტ (MCT)-0.3 ტიპის სამფაზა ასინქრონული ძრავების და მათი ანალოგების ( $190^{+30/-5}$  % ვ. ძაბვით) მართვას ტრანსფორმატორების გამოყენების გარეშე.

მაღალი მქვ და სასრე ელ. ამძრავების განმეორებით მოკლევადიანი რეჟიმში მუშაობა საშუალებას იძლევა მნიშვნელოვნად შეამციროს გარდამქმნელის ძალურ კომპონენტებზე სითბოს ამრიდის მოთხოვნილებები. ეს კი იმას ნიშნავს, რომ ასეთ მოწყობილობებში რადიატორებს ზომები შეიძლება ჰქონდეს უმნიშვნელო, რაც ტრანსფორმატორის არარსებობასთან ერთად ხელს უწყობს მთლიანად ნაკეთობის ზომების მნიშვნელოვან შემცირებას. ამრიგად, ფუნქციონალური გარდამქმნელი მართავს სასრე ელ.

ამძრავების სამფაზა ასინქრონული ძრავას, რომლის მოქმედებაშიც გამოიყენება ჩამკეტების მუშაობის დაბალი სიხშირის რეჟიმი, ეს არის შედარებით ტექნოლოგიური და კომპაქტური ელექტრონული ნაკეთობა, რომელსაც შეუძლია კონკურენცია გაუწიოს მოწყობილობებს, რომლებშიც გამოიყენება სხვადასხვა ტიპის უსაფრთხო მართვის პრინციპები.



ნახ. 1. სამფაზა ასინქრონული ძრავას მართვა ხიდური გარდამქმნელის გამოყენებით, რომელიც მუშაობს დაბალ სიხშირიანი რეჟიმის პირობებში ძალური ჩამკეტების საშუალებით

სამფაზა ხიდური გარდამქმნელი, რომელიც გამოიყენება ცვალებადი ძაბვის საისრე ელ. ამძრავების სამართავად წარმოადგენს უსაფრთხო და საიმედო მოწყობილობას მიკროპროცესორული ცენტრალიზაციის (მპც) სისტემებში. საისრე ელ. ამძრავის მართვის ამ მოწყობილობის უახლეს მოდიფიკაციაში ისრების მდგომარეობის კონტროლი და სხვა დიაგნოსტიკური ფუნქციები, რომელიც ეხება სავსე მოწყობილობების მართვას და კონტროლს გაწერილია მოდულის კარადაში, რომლის გაზომვებია 262X25X50 მმ.

ამასთან ერთად, ზოგიერთ შემთხვევაში გამოიყენება ძრავები, რომლების სამართავად გამოიყენება შედარებით დაბალი ძაბვის სიდიდეები. მაგალითად, მეტროპოლიტენებში საისრე ამძრავების ასინქრონული ძრავას ასამოქმედებლად მკვებავი ძაბვა ტოლია 127 ვოლტისა, რაც გარკვეულ პრობლემებს ქმნის გარდამქმნელების ელექტრომომარაგების ორგანიზებასთან დაკავშირებით. ამ პრობლემების გადაჭრის ერთ-ერთი გზა შეიძლება ჩაითვალოს ინვერტორზე მოდებული გამომავალი ძაბვის შემცირება განივ-იმპულსური მოდულაციის (გიმ) გამოყენებით. განივ-იმპულსური მოდულაციის გამოყენებით მიიღება ძაბვა, რომლის პარამეტრებიც ახლოსაა სინუსოიდურ ფორმასთან და მისი მოქმედება შეიძლება გამართლებულად ჩაითვალოს, როდესაც გარდამქმნელი გამოიყენება როგორც სათადარიგო კვების წყარო ისრების მუშა ელ. სქემებისთვის და ელექტრული ცენტრალიზაციის სარელეო სისტემებში, რადგანაც მართი კუთხის



(გამართული) ფორმის ძაბვების გამოყენებისას ძნელია ფაზამაკონტროლებელი ბლოკების ნორმალური მუშაობის უზრუნველყოფა.

### დასკვნა

არასიმეტრიული მტყუნებების დროს ფუნქციონალური გარდამქმნელების გამოყენება არის ერთ ერთი პერსპექტიული გზა სარკინიგზო ტრანსპორტზე შემსრულებელი საველე მოწყობილობების უსაფრთხოდ სამართავად, რომლებიც არ არიან მგრძობიარე მუდმივი დენის ძალის სიდიდის მიმართ. ასეთ მოწყობილობებს მიეკუთვნება სამფაზა ასინქრონული ძრავები, რომლებიც ფართოდ გამოიყენება რკინიგზის ავტომატიკის საისრე ელექტროამძრავებში.

ფუნქციონალური გადამყვანების შემუშავებისას სასურველია ორიენტირება მოვახდინოთ თანამედროვე ელემენტთა ბაზაზე, რომელიც დაკომპლექტებულია ელექტრონული კომპონენტების ფართო სპექტრით. როგორც წესი ასეთ ელემენტთა ბაზიდან უნდა გამოვყოთ, იზოლირებულ ჩამრჩინი ბიპოლარული ტრანზისტორები (IGBT ტიპის ტრანზისტორები), რომლებიც ყველაზე მეტად შესაფერისია ელექტროამძრავების მართვისთვის. ნახევარგამტარული კომპონენტების გარდა, ფუნქციონალური გარდამქმნელების ელ. სქემებში, გამართლებულია მცირეგაბარიტული რელეების გამოყენება, რომლებიც ახორციელებენ ელ. წრედების მექანიკურ განრთვას, რადგანაც ზოგიერთ შემთხვევაში ეს საშუალებას იძლევა გაზარდოს აპარატურის მოქმედების საიმედოობა და ელექტრული უსაფრთხოება.

### გამოყენებული წყაროები და ლიტერატურა:

1. Воронин П. А. Силовые полупроводниковые ключи: семейства, характеристики, применение / П. А. Воронин. – М.: Издательский дом «Додэка-XXI», 2001. – 384 с.;
2. Сапожников Вл. В. Микропроцессорная система электрической централизации МПЦ-МПК / Вл. В. Сапожников, А. Б. Никитин // Наука и транспорт. – 2009. – С. 18–21;
3. Гавзов Д. В. Сравнительная оценка основных принципов обеспечения безопасности устройств сопряжения с учетом современных достижений в области силовой электроники / Д. В. Гавзов, А. Н. Ковкин // Разработка и эксплуатация новых устройств и систем железнодорожной автоматики и телемеханики: сб. науч. тр. – СПб.: Петербургский гос. ун-т путей сообщения, 2004. – С. 66–69;
4. Готтлиб И. М. Источники питания. Инверторы, конверторы, линейные и импульсные стабилизаторы / И. М. Готтлиб. – М.: Постмаркет, 2000. – 552 с.



**Features of operation of three-phase inverters when controlling electric drive motors in railway automation and telemechanics systems**

**Merab Chaladze, Murtaz Papaskiri, Papuna Elizbarashvili,  
Mirian Tsotskhalashvili, Giorgi Tskhomelidze**

**Abstract**

The article discusses the features of the use of bridge converter circuits for controlling AC motors in computer systems of railway automation and telemechanics. Special attention is paid to the evaluation of the efficiency of converter circuits and it is shown that the use of low-frequency modes of operation of power switches can significantly increase the efficiency of converters as part of the coupling devices. A technical solution is proposed for the implementation of electronic control circuits for AC motors, which is a five-phase bridge conversion circuit. To implement the circuits, we will use alternating current. To control the motor, when three phases A, B, C are applied, the motor rotates clockwise, and when rotating counterclockwise, phases B, A, C are applied to the same clamps. A brief overview of the modern element base used to build inverters is performed, an assessment of electronic components from the point of view of the possibility of selecting analogues is given. In addition, the issues of the use of electromagnetic relays as part of functional converters, providing increased reliability and electrical safety of equipment, are considered.

**Особенности работы трехфазных инверторов при управлении двигателями электроприводов в системах железнодорожной автоматики и телемеханики**

**Мераб Чаладзе, Муртаз Папаскири, Папуна Элизбарашвили,  
Мириан Цоцхалашвили, Гиоргий Цхомелидзе**

**Резюме**

В статье рассмотрены особенности использования мостовых преобразовательных схем для управления двигателями переменного тока в компьютерных системах железнодорожной автоматики и телемеханики. Особое внимание уделено оценке коэффициента полезного действия преобразовательных схем и показано, что применение низкочастотных режимов работы силовых ключей позволяет существенно повысить эффективность преобразователей в составе устройств сопряжения. Предложено техническое решение для реализации схем управления двигателями переменного тока, представляющее собой пятифазную мостовую схему преобразования. Для реализации схем мы будем использовать переменный ток. Для управления двигателем, при подаче трех фаз А, В, С двигатель вращается по часовой стрелке, а при вращении против часовой стрелки фазы В, А, С подаются на одни и те же зажимы. Выполнен краткий обзор современной элементной базы, используемой для построения инверторов, дана оценка электронных компонентов с точки зрения возможности подбора аналогов. Кроме того, рассмотрены вопросы применения в составе функциональных преобразователей электромагнитных реле, обеспечивающих повышение надежности и электробезопасности аппаратуры.

УДК 656.224

## Мониторинг технологического процесса на железнодорожном транспорте

Квачадзе Нино\*, Чаладзе Мераб\*\*, Абашидзе Николоз\*\*\*

\* *Ассоциированный профессор, Грузинский технический университет,*

*E-mail: [n.kvachadze@gtu.ge](mailto:n.kvachadze@gtu.ge)*

\*\* *Академический доктор, Грузинский технический университет,*

*E-mail: [m.chaladze@gtu.ge](mailto:m.chaladze@gtu.ge)*

\*\*\* *Студент, Грузинский технический университет,*

*E-mail: [nikolozabashidze@gmail.com](mailto:nikolozabashidze@gmail.com)*

(Грузинский технический университет, ул. Костава №71, 0175, Тбилиси, Грузия)

**Резюме:** в статье рассмотрена возможность эффективного функционирования микропроцессорной и электронной техники на железнодорожном транспорте, так как автоматизация процессов управления, есть необходимый элемент современного производства и её широкое внедрение и применение обеспечивает повышение производительности труда и улучшение качества работы аппаратуры на железнодорожном транспорте. Это связано к повышению пропускной способности и безопасности движения поездов. Система видеоконтроля позволяет вести видеозапись всех действий, которые происходят в буксовом узле. Мониторинг осуществляется надёжной цифровой оптикой, чем и повышается безопасность.

**Ключевые слова:** подвижной состав, фотозапись, фотореле, стрелка, буксовой узел.

Широкое применение и внедрение автоматизации обеспечивает производительность труда и увеличивает качество работы аппаратуры на железнодорожном транспорте. На качественно новую ступень развития автоматизация поднялась с появлением электронных вычислительных машин, когда процессы управления получили программную реализацию и возникла возможность автоматизации не только физической, но и умственной деятельности человека. Современный этап развития средств автоматизации связан с успехами микроэлектроники, созданием больших интегральных схем и микропроцессоров. На железнодорожном транспорте, как и в других сферах, широко применяется автоматизация промышленного процесса и прежде всего процессов управления движением поездов.

Увеличение пропускной и провозной способности железных дорог, повышение скоростей и интенсивности движения грузовых и пассажирских поездов обусловили необходимость создания специальных систем управления перевозочными процессами. К основным системам железнодорожной автоматики и телемеханики относятся: электрическая централизация (ЭЦ) стрелок и сигналов (система регулирования движением поездов на станциях), автоматическая блокировка и диспетчерская централизация (системы регулирования движением поездов соответственно на перегонах и участках), устройства автоматики на сортировочных горках.

Сортировочные горки играют важную роль в устранении доставки грузов клиентам, сокращении простоев вагонов, обеспечении их сохранности. Поэтому в современных условиях, когда на первое место выходят качественные показатели работы ж.д. транспорта, роль сортировочных горок не только не снизились, но ещё более возросла. От того, насколько эффективно функционируют механизированные и автоматизированные сортировочные горочные комплексы, зависят итоги работы всей сети железных дорог. Требования к техническим средствам механизации и автоматизации выдвигаются в зависимости от задач, решаемых в процессе формирования-расформирования составов. Их применение обеспечивает увеличение пропускной способности и повышения безопасности движения поездов. Формирование составов включает управление маневровой работой в сортировочном парке станции и мониторинг подвижных единиц на её путях. Маневровая работа выполняется локомотивами оборудованными подсистемой горочной автоматической локомотивной сигнализации (ГАЛС). На маневровые локомотивы приходят данные о маршрутном задании, показаниях попутных сигналов, допустимой и фактической скорости движения локомотива, направлении его движения, текущем расстоянии до конца маршрута в блок-участках и метрах, позиции регулирования силовой и тормозной системы локомотива. Средства механизации и автоматизации сортировочных станций предназначены для использования на ж.д. станциях, имеющих сортировочные горки, в целях обеспечения безопасности технологического процесса переработки составов; повышения степени сохранности вагонов и грузов; улучшения технико-эксплуатационных показателей работы станции; повышения производительности труда работников станции.

ЭЦ получив с помощью контрольно-измерительных приборов (КИП) информацию например, о положении стрелок, состоянии светофоров, путей на станции, оператор устанавливает маршрут движения поезда. Исполнительные устройства ЭЦ обеспечивают перевод стрелок в соответствующее положение и открытие светофора, разрешающего поезду следовать по установленному маршруту. Все системы автоматики, телемеханики и связи являются системами переработки, воспроизведения, хранения и доставки информации для управления некоторыми технологическими процессами.

Работа систем железнодорожной автоматики и телемеханики происходит в очень сложных эксплуатационных условиях, определяемых высокими скоростями и большой интенсивностью движения поездов, а также часто трудными климатическими условиями. К специфическим условиям работы этих систем относится также то, что они, обеспечивая безопасность движения подвижного состава используют в качестве каналов связи электрические рельсовые цепи и испытывают влияние помех большого уровня от токов электрической тяги.

Для эффективного функционирования электронной техники на железнодорожном транспорте требуется практически полностью заменить существующую релейно-контактную аппаратуру. Однако за короткий период невозможно переоснастить всю сеть дорог микропроцессорными устройствами, которые решили бы многие проблемы в релейных системах железнодорожной автоматики. Это относится в первую очередь к устройствам управления стрелочными переводами и контроля положения стрелок.

Практика показывает, что по причине неправильного функционирования таких устройств периодически возникают опасные ситуации, а иногда крушения поездов. Для

фиксации нахождения поезда на изолированной секции и исключения перевода стрелок под вагонами и при потере шунта используются устройства, основанные на фотоэлементах. Их устанавливают на головных и пучковых стрелках. Остальные стрелки оборудуются исходя из условий габарита подвижного состава. Обнаружение отцепки в контролируемой зоне основано на экранировании светового потока, поступающего в приёмник. Основными узлами таких устройств являются: осветитель, фотодатчик и релейная ячейка. Фотореле, это чувствительный прибор, реагирующий на свет. При снижении освещённости до определённого уровня, заданного заранее, устройство срабатывает, включая светильники. Когда становится достаточно светло, датчик отключает осветительные приборы. В качестве светочувствительных элементов используются фотодиоды, фоторезисторы и другие устройства с разными принципами работы. Фотореле помогает сэкономить на электричестве. Под управлением устройств светильники горят только когда действительно темно и соответственно не потребляют эл.энергию утром и днём.

Осветитель оснащён светофорной лампой, плосковыпуклой линзой диаметром 53мм с фокусным расстоянием 80мм и питающий трансформатор. Во избежании фиксации просветов между вагонами в отцепе, луч света пересекает ось пути на уровне автосцепки. Точка пересечения оси пути с лучом света должна отстоять от острия на расстоянии 1,2-2,6 м. Это расстояние выбирают из условия пересечения луча света любым вагоном, до тех пор, пока первая ось второй тележки не вступит на острия стрелки. Для защиты фоторезистора от прямых солнечных лучей, фотодатчик располагается с теневой стороны вагона.

Преимуществами фотореле являются: работа в режиме пространственного контакта с обнаруживаемым объектом; простота в эксплуатации; низкая стоимость.

В то же время волны в оптическом видимом диапазоне подвергаются сильному затуханию в зависимости от погоды (дождь, снег, туман, пыль). Загрязнённость оптических линз горючесмазочными материалами сильно отражается на нормальном функционировании фотореле.

В солнечную погоду при проезде в контролируемой зоне вагонов с хорошо отражающими боковыми поверхностями в приёмник фотореле поступают отражения в виде солнечных зайчиков, в результате чего вырабатывается команда ложной свободности. Следует отметить, что восьмиосные (длиннобазные) цистерны с высоко поднятым основанием (1300 мм) и вагоны-транспортёры с низко опущенным (до 560 мм) основанием не обнаруживаются фотореле в виде узконаправленности излучения. Наиболее ответственным элементом ходовой части вагона является буксовый узел, от надёжности которого во многом зависит безопасность движения поездов. Большинство неисправности букс возникают по причине человеческого фактора. Не своевременное обнаружение и устранение неисправностей приводит к повышенному износу и нагреву деталей буксового узла, что влечёт за собой нагрев и потерю пластичности металла шейки оси колёсной пары, что приводит к излому шейки оси.

Оптимальным решением этой проблемы является система видеоконтроля, которая позволяет вести видеозапись всех действий, происходящих в зоне монтажа букс.

Преимуществами данной системы являются:

- повышение безопасности движения подвижного состава;
- улучшение качества монтажа букс;

- при неисправности букс колёсной пары можно выявить недостатки при монтаже буксового узла;
- анализ видеозаписи, который позволяет проверить соблюдение норм технологического процесса.

Поэтому, видеоконтроль монтажа буксового узла колёсной пары является эффективным методом мониторинга, поскольку он осуществляется цифровой оптикой, способной видеть лучше человеческого глаза, а также данный способ контроля проще поддается автоматизации и статическому учёту.

#### Литერატურა:

1. Дундуа А.А. Использование микропроцессорной техники на транспорте-Тбилиси «Технический университет», 2017г. 344с/ (на грузинском языке);
2. Сапожников Вл.В., Ёлкин Б.Н. и др. Станционные системы автоматики и телемеханики – М. «Транспорт», 2000г. 432с.

### ტექნოლოგიური პროცესის მონიტორინგი რკინიგზის ტრანსპორტზე ნინო კვაჭაძე, მერაბ ჩალაძე, ნიკოლოზ აბაშიძე რეზიუმე

სტატიაში განხილულია რკინიგზის ტრანსპორტზე მიკროპროცესორული და ელექტრონული ტექნიკის ეფექტური ფუნქციონირების შესაძლებლობები. ავტომატიზაცია თანამედროვე წარმოების აუცილებელი ელემენტია და მისი ფართო დანერგვა და გამოყენება უზრუნველყოფს სარკინიგზო ტრანსპორტზე აპარატურის მუშაობის ხარისხის გაუმჯობესებას, რაც გამოიხატება მოძრავი შემადგენლობის გამტარუნარიანობასა და უსაფრთხოების გაზრდაში. ვიდეომონიტორინგის სისტემის მეშვეობით ხორციელდება ყველა მოქმედების ჩაწერა, რაც ხდება ბუქსების მონტაჟისას. განხილული მეთოდი ხორციელდება საიმედო ციფრული ოპტიკის გამოყენებით, რაც უმთავრესია მატარებელთა უსაფრთხო მოძრაობისათვის.

### Monitoring of the technological process in railway Transport Nino Kvachadze, Merab Chaladze, Nikoloz Abashidze

#### Abstract

The article discusses the possibility of effective functioning of microprocessor and electronic equipment in railway transport, since automation of control processes is a necessary element of modern production and its widespread introduction and use ensures increased productivity and improved quality of equipment in railway transport. This is due to increasing the capacity and safety of trains. The video monitoring system allows you to video record all actions that occur in the axle box. Monitoring is carried out using reliable digital optics, which increases security.



უკ 655.1

## ახალი ტექნიკური მიდგომები შამპანურის და ცქრიალა ღვინის ბოთლის ჩაჩის წარმოების პროცესში სახარჯი მასალების მოხმარების ეფექტიანობის ასამაღლებლად

თეა ბარამაშვილი\*, მალხაზ ცუცქირიძე\*\*

\*პროფესორი, საქართველოს ტექნიკური უნივერსიტეტი, E-mail: baramashvili.t@gtu.ge;

\*\*დოქტორანტი, საქართველოს ტექნიკური უნივერსიტეტი, E-mail: dachi\_m@ymail.com

(საქართველოს ტექნიკური უნივერსიტეტი, კოსტავას ქ. №71, 0175, თბილისი, საქართველო)

**რეზიუმე:** პროდუქციის შეფუთვისა და გაფორმების თანამედროვე ინოვაციური მიდგომების საკითხებში უმნიშვნელოვანესი ყურადღება ეთმობა დარგში გამოყენებული დანადგარების ტექნიკურ სრულყოფას, როგორც სახარჯი მასალების ეფექტური და ეკონომიური ხარჯვის, ასევე წარმადობის ამაღლებისა და ენერგო ეფექტურობის კუთხით. დამუშავებული მეთოდების საფუძველზე, შამპანურისა და ცქრიალა ღვინის ჩაჩის წარმოების პროცესში სახარჯი მასალების მოხმარების ეფექტურობის ამაღლების ტექნოლოგიური პრობლემის გადაჭრის მიზნით, დასმულია საკითხი, დამუშავდეს და შეიქმნას ახალი ტექნიკური სქემები და მუშა კვანძები. ტექნოლოგიურ სქემებში მკაფიოდ გაწერილი სამუშაო პროცესების რიგითობით და მუშა კვანძების ეფექტური გამოყენებით. მეთოდიკა შესაძლებელია გამოყენებული იქნეს მხოლოდ შამპანურისა და ცქრიალა ღვინის ჩაჩების წარმოების პროცესში, რადგანაც თავისი გეომეტრიული ფორმის გამო, ძირითადი მასალის ნარჩენის ზომები მის კვლავ წარმოებაში ჩართვის საშუალებას იძლევა.

**საკვანძო სიტყვები:** ჩაჩი, ჩაჩის დასამზადებელი დანადგარი, ზედა დისკი, პოლილამინატი, ალუმინის კილიტა, პნევმოგადამტანი, გრიგალური ტუმბო, ზედა დისკის გადამტანი მასრა.

### შესავალი

შამპანურისა და ცქრიალა ღვინის ბოთლის ჩაჩის დასამზადებლად გამოიყენება სამი ძირითადი მასალა:

1. ორმხრივად ლამინირებული, ალუმინის კილიტა - პოლიეთილენი - ალუმინის კილიტა (All 0.009mm-PE 0.035mm-All 0.009mm), შემდგომში პოლილამინატი - ძირითადი ნამზადისათვის;
2. 0.04მმX32 მმ ალუმინის კილიტის ლენტი, ერთი მხრიდან თერმოლაქით დაფარული და მეორე მხრიდან შეღებილი, ზედა დისკისათვის;
3. წებო.

ძირითადი ნამზადის მასალის - პოლილამინატის ხვედრითი წილი საბოლოო პროდუქტში 97%-ს შეადგენს და წარმოების პროცესში მისი სრული რაოდენობის 17% ნარჩენის სახით რჩება.

ზედა დისკის მასალის - ალუმინის კილიტის 39% ასევე ნარჩენის სახით იყრება და თუ შესაძლებელი იქნება, ზედა დისკი დამზადდეს ძირითადი მასალის - პოლილამინატის იმ წილიდან, რომელიც ნარჩენის სახით გვრჩება, შედეგად მივიღებთ ეკონომიკურ, ტექნიკურ და ეკოლოგიურ ეფექტს.

აღნიშნული პრობლემის მოსაგვარებლად საჭიროა გადაიჭრას შემდეგი ამოცანები:

1. პოლილამინატის მასალიდან ზედა დისკის ამოკვეთა განხორციელდეს, მდებარეობის რეგულირებადი ტვიფრის მეშვეობით, ისე რომ, ნამზადის გვერდითი ჩამოსაჭრელი დანის პოზიციაზე მიღწევისას ამოკვეთილი ნახვრეტი ჩამოჭრილ ნარჩენში აღმოჩნდეს;
2. განხორციელდეს ამოკვეთილი ზედა დისკის ზუსტად ფიქსირებული ორიენტირებული გადატანა მასზე წებოს დატანის კვანძის პოზიციაზე;
3. წებოს დატანის შემდეგ ფიქსირებული ორიენტაციის ზედა დისკის მიწოდება პუანსონზე ფორმირებულ ჩაჩის ნამზადზე.

ამ სამი ამოცანის გადაჭრით შესაძლებელი ხდება ზედა დისკის დასამზადებლად გამოყენებული იქნას იგივე მასალა, რომლითაც ჩაჩის ძირითადი ტანი მზადდება და უარი ვთქვათ ზედა დისკის მასალის - ალუმინის კილიტაზე, მის წინასწარ მოსამზადებელ სამუშაოებზე.

### ძირითადი ნაწილი

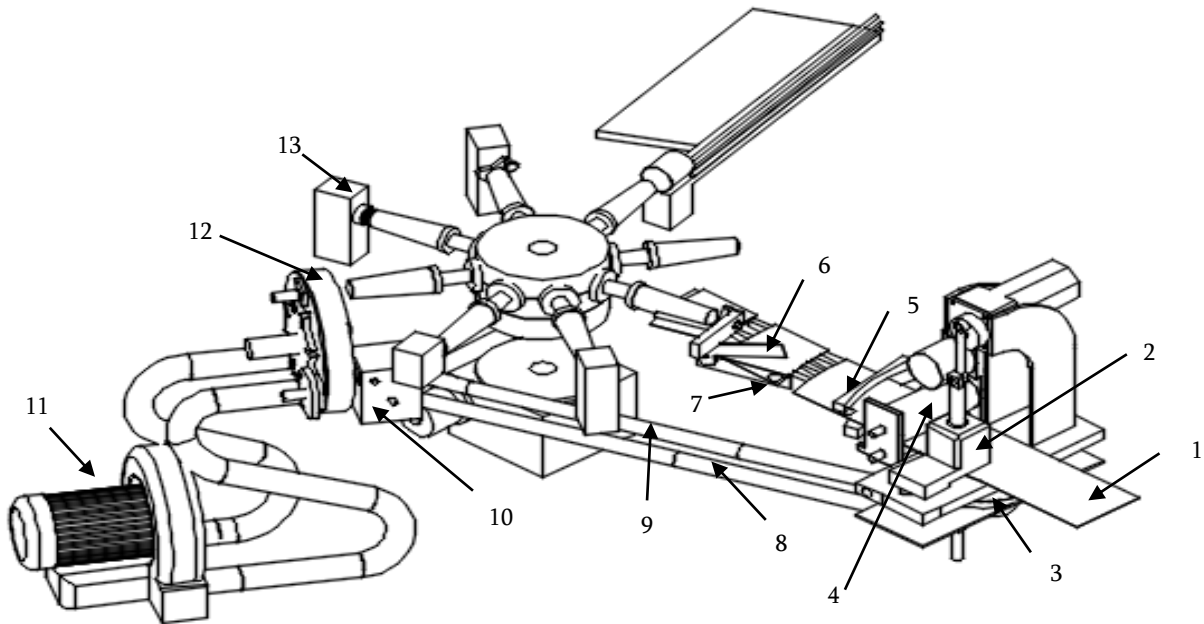
პოლილამინატის მასალიდან ზედა დისკის ამოსაკვეთი ტვიფრის მატრიცა-პუანსონი იგივეა რაც დღეს არსებულ ტვიფრებშია გამოყენებული, საჭიროა მხოლოდ კორპუსის დეტალების კონსტრუქციული მორგება, მდებარეობის რეგულირების შესაძლებლობით, მასალის გამთრევი მექანიზმის წინა მდებარე პოზიციაზე. რეგულირება საშუალებას გვაძლევს ისე შევარჩიოთ ტვიფრის მდებარეობა რომ, როდესაც ნამზადი გვერდითა დანის (6; ნახ.1) პოზიციას მიაღწევს, ამოკვეთილი დისკის ნახვრეტი c ნარჩენში (7; ნახ.1) მოხვდეს. ტვიფრის მუშაობას უზრუნველყოფს მანქანის სამუშაო ტაქტთან დაკავშირებული სერვომამძრავი სახსრულ ბერკეტული გადაცემით (4; 5; ნახ. 2).

ამოკვეთილი პოლილამინატის დისკის გადატანა, მასზე წებოს დატანა და შესაბამის პუანსონზე ფორმირებულ ჩაჩზე მიწოდება, ხორციელდება შემდეგი დამუშავებული სქემის მიხედვით (ნახ. 2):

ა) ტვიფრის პუანსონი (2), მას შემდეგ რაც ამოკვეთს პოლილამინატის მასალიდან (1) დისკს (15), აგრძელებს სვლას და მიაწვდის გადამტანი მასრის (3) ზედაპირზე. წნევითა სხვაობის ხარჯზე დისკი ფიქსირდება მასრაზე;

ბ) სერვომამძრავიანი ექვს პოზიციანი გადამცემი დოლის (6) ერთ პოზიციაზე შემობრუნების შედეგად დისკიანი მასრა (3) გადაინაცვლებს პნევმოგადამტანი სისტემის შემწოვი ნაკადის მილის (9) შემავალი ყელის გასწვრივ, ხვდება მასში და ჰაერის ძლიერი ნაკადის მეშვეობით გადადის რვა პოზიციან მიმღები დოლის (11) მიმღებ პოზიციაზე (10). მიმღები დოლის კონსტრუქცია შესაბამისი არხებით (12) უზრუნველყოფს გადამტანი მასრების (3) უდისკო მხარეს მუდმივად იყოს დაბალი წნევის არე და შედეგად დისკებიც კვლავ რჩებიან ფიქსირებულ მდგომარეობაში. პნევმო გადამტანი სისტემა შედგება გრიგალური ტუმბოსაგან (13), შემწოვი ნაკადის მილისგან (9), დამბერავი ნაკადის

მილისგან (10), მიმღები დოლის ჰაერგამანაწილებელი ფილასგან, გადამცემი დოლის ჰაერგამანაწილებელი ფილასგან (8) და რაბიანი (შლიუზიანი) დროსელისგან (7);



ნახ. 1.

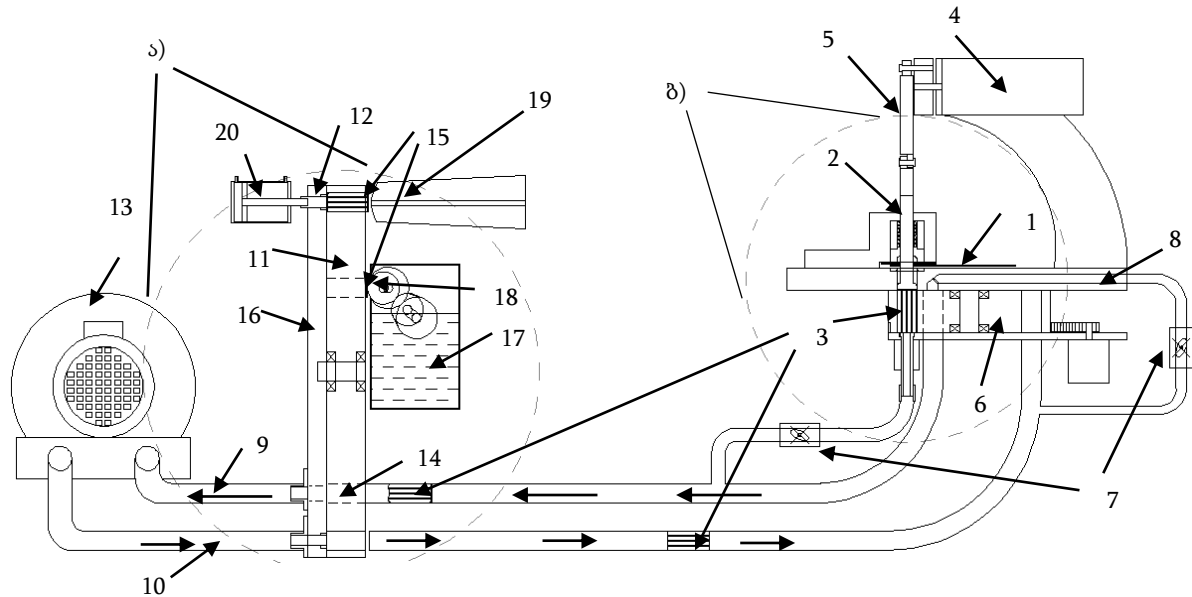
1 - პოლილამინატი; 2 - ზედა დისკის ამოსაკვეთი ტვიფრი სერვომძრავით; 3 - ზედა დისკის გადამტანი მასრის გადამცემი დოლი; 4 - გამთრევი მექანიზმი; 5 - რკალისებრი დანა; 6 - გვერდითი დანა; 7 - c ნარჩენში ამოკვეთილი ნახვერეტი; 8 - დისკსიანი გადამტანი მასრის მაგისტრალი; 9 - გადასატანი მასრის უკან დასაბრუნებელი მაგისტრალი; 10 - წებოს გადამტანი მექანიზმი; 11 - გრიგალური ტუმბო; 12 - ზედა დისკის გადამტანი მასრის მიმღები დოლი; 13 - ზედა დისკის დასაწებებელი წნები.

გ) მიმღები დოლის (11) პოზიციური ბრუნვისას, გადამტან მასრაზე (3) დაფიქსირებულ დისკზე (15) კონუსური ფორმის და უჯრედოვანი ზედაპირის მქონე ლილვის (18) საშუალებით ხდება თერმო წებოს (17) გადატანა. კონუსური ლილვის (18) ბრუნვით მოძრაობას განაპირობებს მიმღები დოლის (11) ბრუნვის ღერძთან კბილანური გადაცემა. კბილანური გადაცემის რიცხვი და ლილვის კონუსურობა იმგვარადაა გამოთვლილი რომ, მიმღები დოლის (11) შემობრუნებისას გადამტან მასრაზე (3) დაფიქსირებულ დისკის (15) კონუსურ ლილვთან კონტაქტის მომენტში შეხების წერტილებში მათი ხაზობრივი სიჩქარის ვექტორები სიდიდით და მიმართულებით ემთხვევა ერთმანეთს. ეს უზრუნველყოფს დისკის (15) ზედაპირზე წებოიანი კონუსური ლილვის (18) მოცურების გარეშე გორვით მოძრაობას და წებოს დოზირებულ გადატანას;

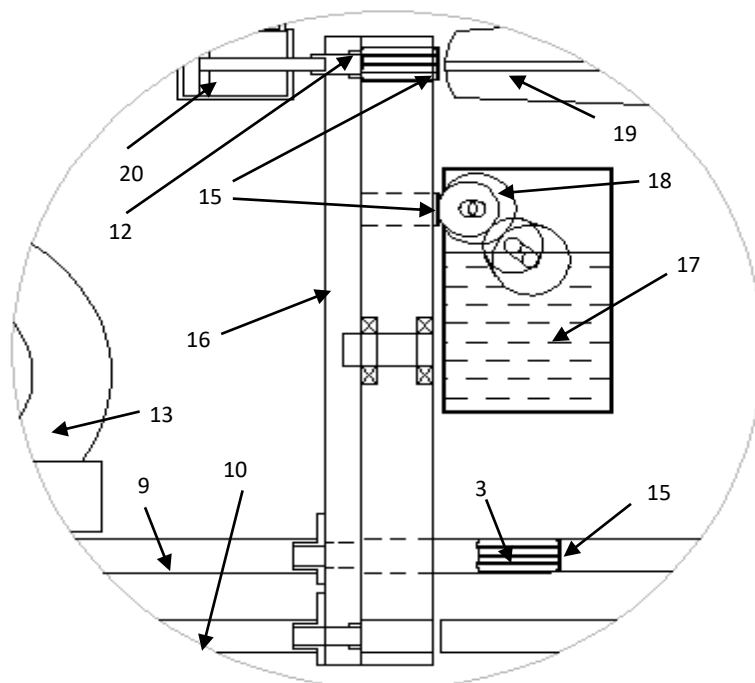
დ) მიმღები დოლის (11) შემდგომი პოზიციური მობრუნებისას, როდესაც გადამტან მასრაზე (3) დაფიქსირებული წებოიანი ზედა დისკი (15) ჩაჩის მაფორმირებელი პუანსონის (19) პირისპირ დადგება, ის პნევმომძრავიანი მექანიზმის (20) მეშვეობით მიეწოდება ჩაჩზე. ვინაიდან ჩაჩის მაფორმირებელი პუანსონის (19) ვაკუუმის ნახვერეტი უკავშირდება უფრო ღრმა ვაკუუმს, დისკი (15) დარჩება ჩაჩის მაფორმირებელი პუანსონზე (19) და მომდევნო პოზიციაზე მექანიკური დაწოლით ეწებება ჩაჩს (იხ. ნახ. 1; პოზ. 13);

ე) გადამტანი მასრა (3) მიმღები დოლურის (11) მობრუნებით მომდევნო პოზიციებზე გადაინაცვლებს და პნევმოგადამტანის დამბერავი მილის (10) გავლით უბრუნდება გადამცემ დოლურას (6).

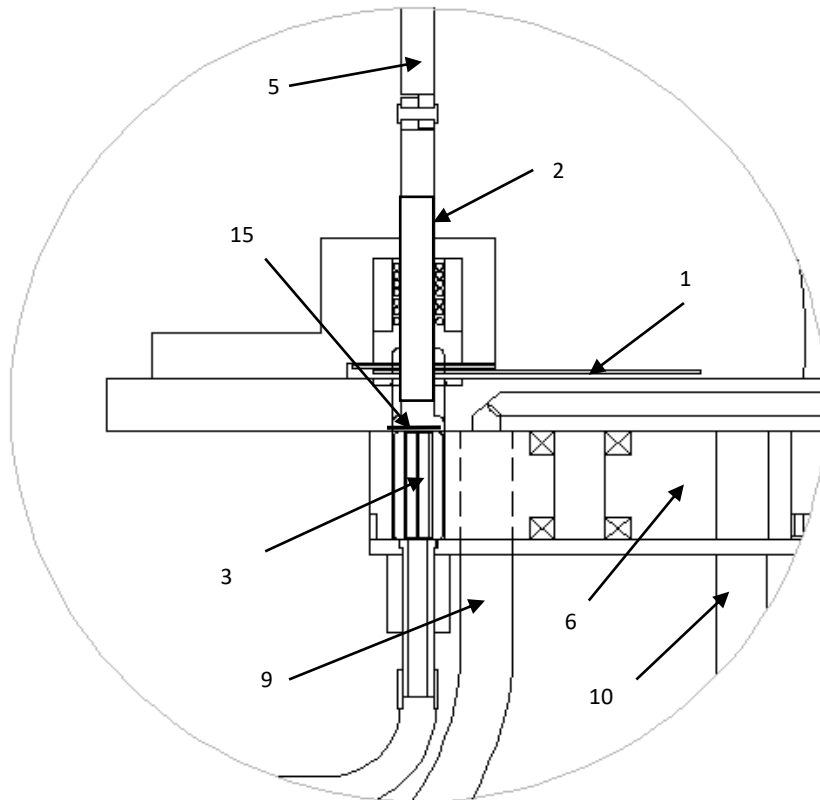
ზედა დისკის ამოსაკვეთი ტვიფრი, გადამცემი დოლი, პნევმოგადამტანი სისტემა და მიმღები დოლი მუშაობას ასრულებენ ჩაჩის მანქანის სხვა მექანიზმებთან სინქრონში, მარტივი ოპერაციული სქემა კი, მაქსიმალური სიჩქარით მუშაობის ტაქტს რეზერვით უზრუნველყოფს და არ ზღუდავს ჩაჩის მანქანის წარმადობას.



ნახ. 2.



ნახ. 2. ა)



ნახ. 2. ბ)

### დასკვნა

დამუშავებული სქემა საშუალებას გვაძლევს, შამპანურის და ცქრიალა ღვინის ჩაჩის წარმოების პროცესში, უარი ვთქვათ ზედა დისკის დასამზადებელი მასალის - ერთი მხრიდან თერმოლაქით დაფარული, მეორე მხრიდან შეღებილი ალუმინის კილიტის ლენტის გამოყენებაზე და ზედა დისკი ჩაჩის დასამზადებელი პოლილამინატის მასალის იმ უბნიდან ამოვკვეთოთ, რომელიც ნარჩენების სახით იყრება. განვახორციელოთ ზედა დისკის ტვიფრიდან ჩაჩზე შეერთების ადგილამდე ოპერატიული გადატანა და გადატანის დინამიურ პროცესში მასზე წებოს დატანის ოპერაციის შესრულება.

მიღებული შედეგებიდან შეიძლება დავადგინოთ რომ, შამპანურის და ცქრიალა ღვინის ჩაჩის წარმოების პროცესში, ახალი მიდგომებით დამუშავებული ტექნოლოგიური სქემის დანერგვით მნიშვნელოვანი ეფექტი მიიღწევა ეკონომიკურ-ტექნიკური თვალსაზრისით და გარემოს დაცვის კუთხით.

### გამოყენებული წყაროები და ლიტერატურა:

1. B. Bender and K. Gericke, Eds., *Pahl/Beitz Konstruktionslehre: Methoden und Anwendung erfolgreicher Produktentwicklung*, 9th ed. Berlin, Heidelberg: Springer Berlin Heidelberg, 2021. [Online]. Available: <http://nbn-resolving.org/urn:nbn:de:bsz:31-epflicht-1866059>;

2. <https://erstvak.com/company/articles/vozduhoduvki-dlya-pnevmotransporta-princip-raboty-raschet-proizvoditelnosti-preimushchestva/>
3. <https://vacuum-group.ru/blog/vozdukhoduvki/rotornaya-vozdukhoduvka-printsip-raboty/>

**New technical approaches to increasing the efficiency of consumption of consumables in the production process of capsules for bottles of champagne and sparkling wines**

**Tea Baramashvili, Malkhaz Tsutskiridze**

**Abstract**

The developed scheme allows, in the process of producing caps for champagne and sparkling wine, to refuse to use the material of the top disk - a strip of aluminum foil, coated on one side with thermovarnish, on the other side painted, and to cut out the upper disk from the place of poly laminate, a material for the production of caps, which is thrown away like trash. Carry out rapid transfer of the top disk from the matrix to the junction with the cap and perform the operation of applying glue to it during the dynamic transfer process. Based on the results obtained, it can be determined that in the process of producing caps for champagne and sparkling wines, through the introduction of a technological scheme developed using new approaches, a significant effect will be achieved both from an economic and technical point of view, and from an environmental point of view.

**keywords:** machine for making caps, top disk, poly laminate, aluminum foil, pneumatic conveyor, vortex pump, vase for transferring the top disk.

**Новые технические подходы к повышению эффективности потребления расходных материалов в процессе производства колпаков бутылок шампанских и игристых вин**

**Tea Барамашвили, Малхаз Цуцкиридзе**

**Резюме**

В вопросах современных инновационных подходов к упаковке и декорированию продукции важнейшее внимание уделяется техническому совершенству используемого в отрасли оборудования, как с точки зрения эффективного и экономного потребления расходных материалов, так и с точки зрения повышения производительности и энергоэффективности. На основе разработанной методики для решения технологической задачи повышения эффективности потребления расходных материалов в процессе производства колпаков для шампанских и игристых вин ставится вопрос разработки и создания новых технических схем и рабочих узлов. С четко описанной в технологических схемах последовательностью рабочих процессов и эффективным использованием рабочих узлов. Способ может быть использован только в процессе производства колпаков для шампанского и игристого вина, поскольку благодаря своей геометрической формы остаточные размеры основного материала позволяют повторно включить его в производство.



## ჰომოთეტიის საფუძველზე მექანიზმის კონსტრუირების შესაძლებლობები

ირინე უგრეხელიძე\*, ნანა ბაქრაძე\*\*, გიგა კვეტენაძე\*\*\*

\*ასოცირებული პროფესორი, საქართველოს ტექნიკური უნივერსიტეტი, E-mail: i.ugrekhelidze@gtu.ge

\*\*ასოცირებული პროფესორი, საქართველოს ტექნიკური უნივერსიტეტი, E-mail: n.bakradze@gtu.ge

\*\*\*მაგისტრანტი, საქართველოს ტექნიკური უნივერსიტეტი, E-mail: gigakvetenadze@hotmail.com

(საქართველოს ტექნიკური უნივერსიტეტი, მ. კოსტავას ქ. №71, 0175,

თბილისი, საქართველო)

**რეზიუმე:** ბრუნვითი მოძრაობის მქონე მექანიზმებში სინქრონიზებული მუშაობის უზრუნველყოფა შესაძლებელია ჰომოთეტიის საფუძველზე შექმნილი მექანიზმებით, რომლებიც გამოირჩევიან სისადავითა და სასურველი სიზუსტის მარტივად მიღწევის უნარით. ნაშრომში გამოყენებულია გეომეტრიული გარდაქმნა ჰომოთეტის პრინციპი, წრეწირის გარდაქმნა წრეწირად, რომელიც გამავალი რგოლების ნებისმიერი კუთხით მობრუნების შესაძლებლობას იძლევა. მექანიზმს ახასიათებს: კინემატიკური კვლევის სიმარტივე, კონსტრუქციული დამუშავებისა და დამზადების ხელმისაწვდომობა და ეკონომიკური ეფექტი, სინთეზთან დაკავშირებული აგების მარტივი პროცესი.

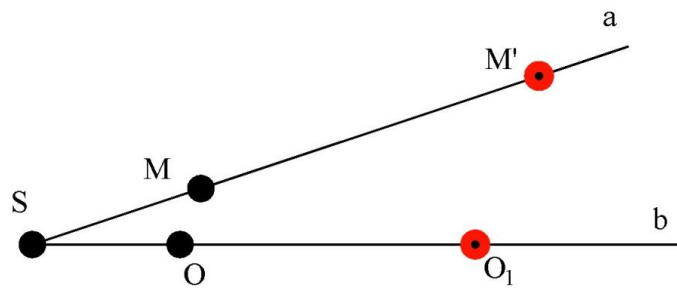
**საკვანძო სიტყვები:** ჰომოთეტია, წრეწირი, მექანიზმი, კონსტრუირება, კინემატიკური წყვილი.

ბრუნვითი მოძრაობის მქონე მექანიზმები ხშირად საჭიროებენ სინქრონიზებულ მუშაობას, რის უზრუნველყოფაც შეგვიძლია განვახორციელოთ ჰომოთეტიის საფუძველზე შექმნილი მექანიზმებით, რომლებიც გამოირჩევიან სისადავითა და სასურველი სიზუსტის მარტივად მიღწევის უნარით.

ჰომოთეტია არის გეომეტრიული გარდაქმნა, რომლის შინაარსი მოიცავს პოლუსს და გარდაქმნის კოეფიციენტს, ჰომოთეტის ცენტრი უძრავია. ჰომოთეტია წრფეს გარდაქმნის საკუთარ თავში ან მის პარალელურ წრფეში, წერტილი გარდაიქმნება წერტილად, ხოლო წრეწირის ჰომოთეტის დროს  $\omega$  წრეწირი გარდაიქმნება  $\omega'$  წრეწირად (ნახ. 5), ამასთან  $\omega$  წრეწირის ცენტრი გარდაიქმნება  $\omega'$  წრეწირის ცენტრად, ხოლო  $\omega'$  წრეწირის რადიუსის ფარდობა  $\omega$  წრეწირის რადიუსთან ტოლია ჰომოთეტიური კოეფიციენტის აბსოლიტური სიდიდის.

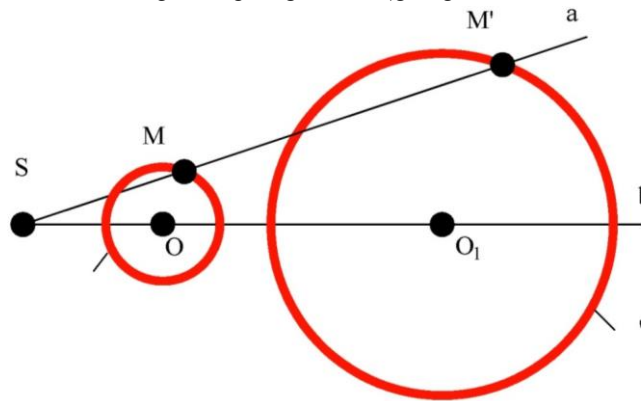
განვიხილოთ, ჩვენს მიერ, წრეწირის ჰომოთეტის თვისებით მოღებულ ხუთი ბრუნვითი კინემატიკური წყვილისაგან შემდგარი მექანიზმის კონსტრუირების თანამიმდევრობა:

პირველ ეტაპზე დავაფიქსიროთ ჰომოთეტის  $S$  ცენტრი, მოცემული  $M$  წერტილი და  $k$  ჰომოთეტის კოეფიციენტი (ნახ. 1). განვსაზღვროთ  $k$  სიდიდით გარდაქმნილი წერტილები  $M'$  და  $O_1$ , ერთი მდებარეობს  $SM$  მონაკვეთით განსაზღვრულ  $a$  წრფეზე, ხოლო მეორე  $SO$  მონაკვეთით განსაზღვრულ  $b$  წრფეზე.



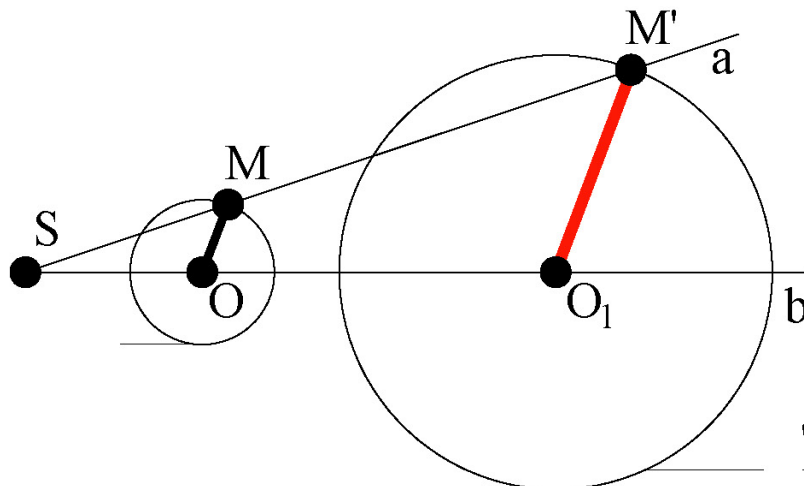
ნახ. 1. ჰომოთეტიური წერტილების აგება

შემდეგ ეტაპზე (ნახ. 2). ნახ. 1-ზე. მოცემულ და კონსტრუირებულ წერტილებზე ავაგოთ წრეწირები, რომელთა რადიუსებიც შესაბამისად  $OM$  რადიუსითა და  $O_1M'$  რადიუსით განისაზღვრება, ეს წრეწირები ჩვენს მიერ ასაგები მექანიზმის წამყვანი და ამყოლი რგოლების მოძრაობის კანონებს განსაზღვრავს.

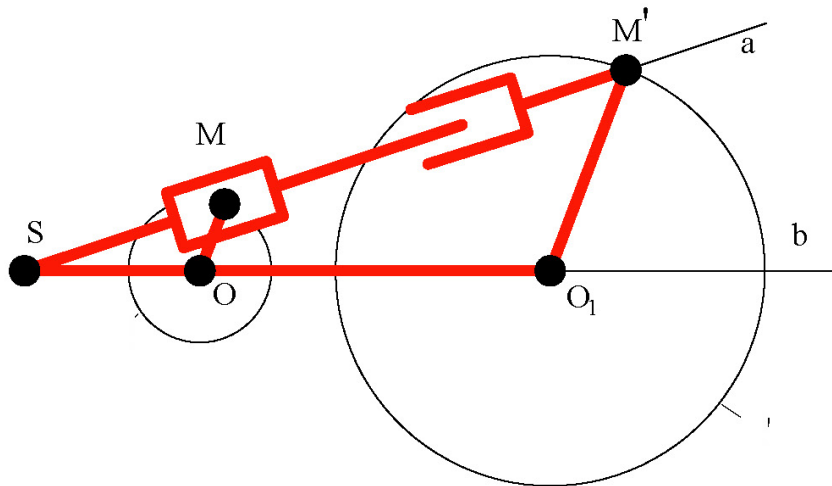


ნახ. 2. აგების გეომეტრია გამავალი რგოლისათვის

მესამე ეტაპზე  $M$  და  $M'$  წერტილების შეერთება შესაბამისად  $O$  და  $O_1$  წერტილებთან ასაგები მექანიზმის წამყვანი და ამყოლი რგოლების სიგრძეებია (ნახ. 3) ჰომოთეტიის თვისებების საფუძველზე. ამ მექანიზმში წრიული ძრაობა წრიულ ძრაობად გარდაიქმნება და ამავე დროს რგოლების პარალელობა მუდმივ პარამეტრს წარმოადგენს.

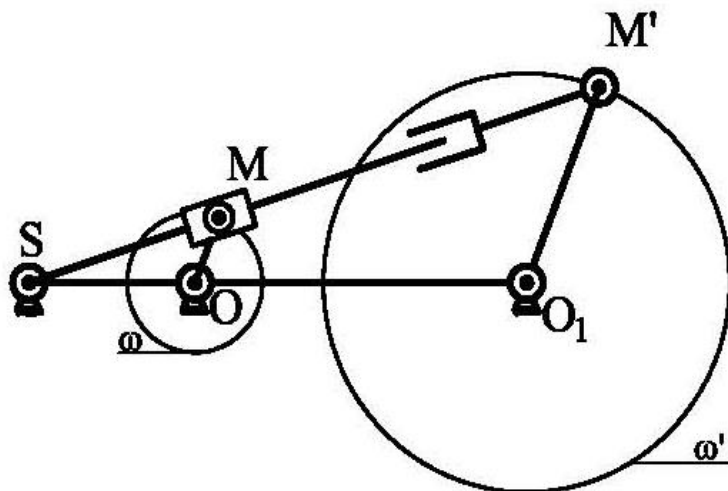


ნახ. 3. მექანიზმისათვის რგოლების აგება



ნახ. 4. მექანიზმის კინემატიკური წყვილებით უზრუნველყოფა

მეოთხე ეტაპზე გეომეტრიული აგებების საფუძველზე (ნახ. 4) შექმნილი სქემა შესაბამისი მექანიზმის კონსტრუქციული დეტალებით ავლჭურვიოთ კერძოდ  $S, O, M, O_1, M'$  წერტილებში ბრუნვითი კინემატიკური წყვილები განვალაგოთ, რომელთა რაოდენობაც ხუთს შეესაბამება.  $M$  წერტილში  $OM$  და  $SM'$  რგოლების შემაერთებელი დეტალი წინსვლითი კინემატიკური წყვილია. ამ კონსტრუქციას უნდა დაემატოს  $SM$  რგოლის შუალედში ტელესკოპური მოწყობილობა, რომელიც მექანიზმის ერთი ბრუნვითი ციკლის შესრულების მანძილზე ამ რგოლის სიგრძის ცვალობადობას უზრუნველყოფს.



ნახ. 5. კონსტრუირებული მექანიზმი

საბოლოოდ გამოხაზულია მექანიზმი (ნახ. 5.), რომელიც შედგება ოთხ ეტაპზე აგებული გეომეტრიული ფიგურებისაგან, მასში შეტანილია, მექანიზმისათვის დამახასიათებელი, ცალკეული რგოლების დამაკავშირებელი კინემატიკური წყვილებით შევსება, მოძრავი და უძრავი რგოლების გარჩევა რომელიმე ერთ-ერთ გვერდზე დასმული დგარის აღმნიშვნელი სიმბოლოებით. ამ მექანიზმში წამყვან რგოლად  $OM$  მიიჩნევა, გამავალ რგოლად კი  $O_1M'$ . მექანიზმის მოძრაობის დროს  $SM$  რგოლი სიგრძის პარამეტრების ცვლილებას განიცდის, რის საშუალებასაც ტელესკოპური მოწყობილობა იძლევა. წარმოდგენილი მექანიზმი ძალიან მარტივ კონსტრუქციულ მოწყობილობას წარმოადგენს, რომელსაც ქვემოთ ჩამოთვლილი ტექნიკური მახასიათებლები აქვს:

1. მექანიზმის სინთეზთან დაკავშირებული აგების მარტივი პროცესი;
2. კინემატიკური კვლევის სიმარტივე;
3. დოლების სხვადასხვა რადიუსების მიუხედავად, კუთხური სიჩქარეები ტოლია;
4. კონსტრუქციული დამუშავებისა და დამზადების ხელმისაწვდომობა და ეკონომიური ეფექტი;
5. ჰომოთეტიური მექანიზმების სიმულაციური მოდელების გრაფიკულ პროგრამებში აგების, მართვის და კვლევის შესაძლებლობა.

#### გამოყენებული წყაროები და ლიტერატურა:

1. უფლისაშვილი ზ. - „ოთხრგოლა სფერული მექანიზმის შემავალი და გამავალი რგოლების კინემატიკის პროექტირების მეთოდები“ - ჟურნალი „ტრანსპორტი და მანქანათმშენებლობა“, #4(16), თბილისი, 2009წ. გვ. 26-31;
2. Заславский А. А. - «Геометрические преобразования – М.МЦНМО, 2004 Москва;
3. პოლიგრაფიაში გამოყენებული მასალების და საბეჭდი მანქანების მექანიზმების შეთანხმებული მუშაობის ოპტიმიზაცია - ი. უგრეხელიძე, დისერტაცია, სტუ, 2011წ.;
4. <https://brilliant.org/wiki/euclidean-geometry-homothety/> შემოწმებულია 22.10.2023წ.

### **Possibility of based on homothety design of mechanism**

**Irina Ugrehelidze, Nana Bakradze, Giga Kvetenadze**

#### **Abstract**

Synchronous operation of rotating mechanisms would be provided by mechanisms based on homothety that are characterized by smooth operation and the ability to easily achieve a given accuracy. The work uses the principle of geometric transformation of homothety, transformation of a circle into a circle, providing the ability to rotate the output links to any angle. The mechanism is characterized by: simplicity of kinematic research, accessibility of design development and manufacturing and economic effect, simplicity of the construction process associated with synthesis.

Keywords: homothety, circle, mechanism, design, kinematic pair.

### **Возможности построения механизма на основе гомотетии**

**Ирине Угрехелидзе, Нана Бакрадзе, Гига Кветенадзе**

#### **Резюме**

Синхронную работу вращающихся механизмов могут обеспечить механизмы, основанные на гомотетии, которые характеризуются плавностью хода и способностью легко достигать заданной точности. В работе использован принцип геометрического преобразования гомотетии, преобразования окружности в окружность, обеспечивающий возможность поворота выходных звеньев на любой угол. Механизм характеризуется: простотой кинематического исследования, доступностью конструктивной разработки и изготовления и экономическим эффектом, простотой связанного с синтезом процесса построения.

Ключевые слова: гомотетия, окружность, механизм, конструкция, кинематическая пара.

## ოფსეტური ბეჭდვის ტექნოლოგია - უპირატესობები და უარყოფითი მხარეები

ირინე უგრეხელიძე\*

\*ასოცირებული პროფესორი, საქართველოს ტექნიკური უნივერსიტეტი, E-mail: i.ugrekhelidze@gtu.ge

(საქართველოს ტექნიკური უნივერსიტეტი, მ. კოსტავას ქ. №71, 0175,

თბილისი, საქართველო)

**რეზიუმე:** სტატიაში განხილულია ოფსეტური ბეჭდვა, რომელიც ბეჭდვის ერთ-ერთი ყველაზე პოპულარული მეთოდია, ის მიეკუთვნება ბრტყელი ბეჭდვის ტექნოლოგიას. ოფსეტური ბეჭდვის ტექნოლოგიას შეუძლია გაუმკლავდეს ბეჭდვის ამოცანების უმეტესობას, მაგრამ არსებობს ნაბეჭდი პროდუქციის გარკვეული ტიპები, რომლებისთვისაც ოფსეტი არ გამოიყენება. ოფსეტური საბეჭდი მანქანები ორი სახისაა ფურცლოვანი და რულონური. ნაშრომში განხილულია ოფსეტის შესაძლებლობები, მისი დადებითი და უარყოფითი მხარეები, ამ მეთოდით ბეჭდვის დროს, ბევრი რამ არის დამოკიდებული გამოყენებულ მანქანაზე, დავალებასა და მისი განხორციელების აქტუალობაზე, შესაბამისად ნაშრომში გახილულია თითქმის ყველა შესაძლებელი ვარიანტი, მათ შორის ციფრული ოფსეტის გამოყენება.

**საკვანძო სიტყვები:** ოფსეტი, ბეჭდვა, საბეჭდი მანქანები, ტექნოლოგია, ფორმატი, ანაბეჭდი.

ოფსეტური ბეჭდვა ბეჭდვის ერთ-ერთი ყველაზე პოპულარული მეთოდია, ის მიეკუთვნება ბრტყელი ბეჭდვის ტექნოლოგიას, სადაც საბეჭდი და სახარვეზო ელემენტები ერთ სიბრტყეზე არიან განლაგებული და ერთმანეთისგან განსხვავდებიან ფიზიკური და ქიმიური მახასიათებლებით. ოფსეტური ბეჭდვის ტექნოლოგია იყენებს შუალედურ რგოლს ფურცელმატარებელსა და საღებავს შორის. პირველი ოფსეტური მანქანები 1916 წელს აშშ-ში შევიდა ექსპლუატაციაში. მათი თავისებურება ის იყო, რომ საბეჭდი ფირფიტებიდან საღებავი პროდუქტზე გადადიოდა შუალედური ცილინდრის მეშვეობით, ამიტომ ორიგინალური გამოსახულება იყო პირდაპირი და არა სარკისებური, როგორც ადრე. ბეჭდვის პროცესში, ბრუნვისას, ანაბეჭდი საფორმე ცილინდრიდან გადადის შუალედურზე, რომელსაც თავის მხრივ ანაბეჭდი გადააქვს დასაბეჭდ ზედაპირზე. ოფსეტურ ბეჭდვაში არსებობს საღებავის გადატანის რამოდენიმე მეთოდი: დანამვით და მშრალად. დანამვის შემთხვევაში გამოიყენება სითხე, რომელიც აცილებს მელანს და ამით უზრუნველყოფს სივრცეებს დაბეჭდილ სიმბოლოებს შორის. შრალი მეთოდის დროს სილიკონი ასრულებს სითხის ფუნქციებს ინტერვალების ფორმირებისთვის, ეს უფრო მარტივი მეთოდია, მაგრამ მისი განხორციელება მოითხოვს სპეციალური კომპოზიციის საღებავს.

ოფსეტური საბეჭდი მანქანები ორი სახისაა ფურცლოვანი და რულონური. ფურცლოვანი ტექნოლოგია გულისხმობს ცალკეულ ფურცლებზე ანაბეჭდის მიღებას. ფურცლოვანი აპარატების ზოგიერთ მოდელს არ შეუძლია მიიღოს სრული ფერადი



გამოსახულება ერთი გატარებით, მხოლოდ მრავალ განყოფილებიანი მანქანები იძლევა ამ შესაძლებლობას.

რულონურ მანქანებზე ანაბეჭდის მიღება ხდება რულონურ ქაღალდზე და შემდეგ ხდება საცლელ ფურცლებად დაჭრა ფორმატის მიხედვით. რულონური მანქანით მიღებული გამოსახულება გამოირჩევა მაღალი ხარისხით, ფერის ჯერადობით და სიზუსტით. ამ ტექნოლოგიის უარყოფითი მხარე არის ძვირადღირებული აღჭურვილობა, რომლის ყიდვის საშუალება აქვს დიდ სტამბას, რომელიც რეგულარულად ახორციელებს დიდი ტირაჟის შეკვეთებს.

ოფსეტური მანქანების მოდელები ერთმანეთისგან განსხვავდება ასევე ბეჭდვის ფორმატის მიხედვით:

მცირე ფორმატიტიანი ფურცლის სიგანე - არაუმეტეს 60 სმ. ასეთ მანქანებზე ჩვეულებრივ იბეჭდება სავიზიტო ბარათები, ბუკლეტები, ფლაერები, ბროშურები, ეტიკეტები.

სრულფორმატიანი. ფურცლის სიგანე – 102 სმ-მდე. სრული ზომის ფორმატები მოთხოვნადია წიგნების, კატალოგების, პერიოდული გამოცემების წარმოებაში.

ფართოფორმატიანი - ფურცლის სიგანე 190 სმ-მდეა, პლაკატები, გეოგრაფიული რუკები, ბილბორდები იბეჭდება დიდი ფორმატის მანქანებზე.

ოფსეტური ბეჭდვის ტექნოლოგიას შეუძლია გაუმკლავდეს ბეჭდვის ამოცანების უმეტესობას. მაგრამ არსებობს ნაბეჭდი პროდუქციის გარკვეული ტიპების სია, რომლებსთვისაც ოფსეტი არ გამოიყენება: ფერად ქაღალდზე თეთრად ბეჭდვისას; სინთეტიკურ ან მეტალიზებულ ქაღალდზე, ფირის მასალებზე ანაბეჭდების მიღებად; როდესაც საჭიროა გამოსახულების მიღება ულტრაფიოლეთური(UV ) და ფოლიუმის საღებავის გამოყენებით;

ოფსეტი არ გამოიყენება როდესაც ქაღალდის სიმკვრივე 35 გ/მ<sup>2</sup>-ზე დაბალია და 200 გ/მ<sup>2</sup>-ზე მეტი, მოძველებული მანქანებისთვის - 150 გ/მ<sup>2</sup>-ზე მეტი (ეს მაჩვენებლები შესაბამისია რულონური მანქანებისთვისაც).

ფურცლვან მანქანებს შეუძლიათ უფრო სქელი ქაღალდის დამუშავება, ვიდრე რულონური ფურცლების დანადგარებს. სიმკვრივის დიაპაზონი მათთვის არის 80-420 გ/მ<sup>2</sup>.

ოფსეტური ბეჭდვა იმდენად ფართოდ გამოიყენება რომ საკმაოდ რთულია მისი დადებითი და უარყოფითი მხარეების დადგენა. ბევრი რამ არის დამოკიდებული გამოყენებულ მანქანაზე, დავალებასა და მისი განხორციელების აქტუალურობაზე.

მაგრამ მაინც შესაძლებელია გამოვყოთ ზოგადი დადებითი ასპექტები:

1. ეკონომიური ეფექტურობა დიდი ტირაჟების შესრულებისას;
2. მაღალი ხარისხის ფერადი ბეჭდვა;
3. კარგი ტირაჟგამძლეობა;
4. ბეჭდვის პროცესის მაღალი სიჩქარე ერთ ტირაჟში, ერთ საათში შესაძლებელია 10 ათასამდე ანაბეჭდის გაკეთება;
5. დამატებითი ოპერაციების განხორციელების შესაძლებლობა, რომლებიც შეიძლება ჩაერთოს ტექნოლოგიის მთლიან პროცესში - გადასაკეცი ღარების გაკეთება, კეცვა, ჭრა, რელიეფური დაწნეხვა, ლამინირება;
6. სხვადასხვა ტიპის, სისქის, ფორმატის ბეჭდვითი პროდუქციის ვრცელი სია.
7. ბეჭდვის ფართო პოტენციალი, შესაძლებლობები:
  - „ვერცხლის“ ან „ოქროს“ საღებავების გამოყენება;
  - სხვადასხვა სახის ლაქების წასმა;

- ქალაქებზე ბეჭდვა სიმკვრივის ფართო სპექტრით - ცარცირებული, ოფსეტური, დიზაინერული, საგაზეთო, მუყაო;
- ბეჭდვის პროცესში ფერების კორექტირების შესაძლებლობა;
- ლაქების გამოყენების შესაძლებლობა (ოფსეტური, წყლის დისპერსიული, ულტრაიისფერი);

ოფსეტური ბეჭდვის უარყოფითი მახასიათებლები:

1. ხანგრძლივი და რთული ბეჭდვისწინა პერიოდი, რომელიც მოიცავს: მაკეტის მომზადებას, ფერებად დაშლას და საბეჭდი ფორმების დამზადებას ბეჭდვითი პროცესისათვის (მოსამზადებელი სამუშაოები შეიძლება განხორციელდეს ერთი ან რამდენიმე დღის განმავლობაში);
2. მცირე გამოცემების (400 ეგზემპლარი) წარმოების ეკონომიკური მიზანშეწონლობა;
3. ოფსეტური ფორმის დამზადების შემდეგ განლაგების სწრაფად შესწორების შეუძლებლობა.

ოფსეტში არის ისეთი პრაქტიკა, როგორცაა პირველი სასიგნალო ეგზემპლარის ღირებულება, რაც დამოკიდებულია ბეჭდვის წინა მომზადების სირთულესა და ხანგრძლივობაზე. კორექტირების აქტივობები მოითხოვს მნიშვნელოვან შრომას, დიდი რაოდენობით საღებავს და ქალაქს. ეს ხარჯები ანაზღაურებადია მხოლოდ ტირაჟის გარკვეული მოცულობისთვის. მანქანის მიხედვით არის 250-500 ანაბეჭდი . ოფსეტური ბეჭდვის ფინანსური სიცოცხლისუნარიანობა იზრდება ტირაჟის ზრდასთან ერთად.

ციფრული ოფსეტური ბეჭდვა არის ყველაზე თანამედროვე მეთოდი, რომელიც ეფექტურად აერთიანებს ელექტროგრაფიულ და არაპირდაპირ ვარიანტებს პროდუქტზე ანაბეჭდის დატანისათვის. გამოსახულება იქმნება ორგანულ ფოტონახევარგამტარზე, რომელიც წრმოადგენს მოქნილ ფირს და მოთავსებულია ცილინდრზე. ანაბეჭდი გადადის ოფსეტურ (შუალედურ) რეზინის ქსოვილზე, შემდეგ კი ანაბეჭდ მასალაზე.

ციფრული ოფსეტური ტექნოლოგია, ტრადიციული ტექნოლოგიისგან განსხვავებით, უზრუნველყოფს უფრო ხანმოკლე ბეჭდვისწინა მომზადებას, რაც ზრდის მცირე რაოდენობის ასლების წარმოების ხარჯების ეფექტურობას. მაგრამ დიდი ტირაჟებისთვის ეკონომიკურად უფრო მომგებიანია ტრადიციული მეთოდის გამოყენება.

### გამოყენებული წყაროები და ლიტერატურა:

1. Offset Printing vs. Digital Printing: Pros and Cons  
<https://josephmerritt.com/offset-printing-vs-digital-printing-pros-and-cons/>
2. Offset Printing Advantages and Disadvantages: Picking the Best Process for Your Project  
<https://dischounds.com/blogs/blog/offset-printing-advantages-and-disadvantages-picking-the-best-process-for-your-project>
3. Офсетний друк. Переваги і недоліки  
<https://rvs.com.ua/ua/articles/197-ofsetnij-druk-perevagi-ta-nedoliki>
4. The Offset Printing Process: How it works  
<https://pakfactory.com/blog/what-is-offset-printing/>

## **Offset printing technology - advantages and disadvantages**

**Irina Ugrekhelidze**

### **Abstract**

In the article is considered offset printing that is one of the most popular printing methods and belongs to Planographic printing technology. Offset printing technology would solve most printing tasks, but there are certain types of printed products for that offset is not used. There are two types of offset printing machines: sheet-fed and roll-fed. In the article are considered the possibilities of offset, its advantages and disadvantages; a printing with this method, much depends on the machine used, the relevance of the task and its realization, accordingly, in the article are considered almost all possible options, including using digital printing.

Keywords: offset, printing, printing machines, technology, format, print.

## **Технология офсетной печати – преимущества и недостатки**

**Ирине Угрехелидзе**

### **Резюме**

В статье рассматривается офсетная печать, которая является одним из самых популярных способов печати, и относится к технологии плоской печати. Технология офсетной печати позволяет решить большинство полиграфических задач, однако существуют определенные виды печатной продукции, для которых не используется офсет. Машины офсетной печати бывают двух типов: листовые и рулонные. В статье рассматриваются возможности офсета, его преимущества и недостатки, при печати этим методом многое зависит от используемой машины, актуальности задачи и ее реализации, соответственно в статье рассматриваются практически все возможные варианты, в том числе и с использованием цифровой печати.

Ключевые слова: офсет, печать, печатные машины, технология, формат, оттиск.

უაკ: 338; 625.

## ინოვაციური სტრატეგიის არჩევა ქეთევან კიწმარიშვილი\*

\*ასოცირებული პროფესორი, საქართველოს ტექნიკური უნივერსიტეტი,  
E-mail: kitsmarishviliketevan05@gtu.ge

(საქართველოს ტექნიკური უნივერსიტეტი, მ, კოსტავას №77, 0175, თბილისი,  
საქართველო)

**რეზიუმე:** სტრატეგიის არჩევა ინოვაციური მენეჯმენტის უმნიშვნელოვანესი შემადგენელი ნაწილია. საბაზრო ეკონომიკის პირობებში ხელმძღვანელისთვის მხოლოდ კარგი პროდუქციის ფლობა არ კმარა. ის ყურადღებით უნდა ადევნებდეს თვალს ახალი ტექნოლოგიების გაჩენას ბაზარზე და გეგმავდეს მათ დანერგვას თავის ფირმაში, რათა არ ჩამორჩეს კონკურენტებს. სულ უფრო მეტი ფირმა აღიარებს სტრატეგიული დაგეგმვის აუცილებლობას და აქტიურად ნერგავს მას თავის საქმიანობაში. ეს მზარდი კონკურენციით არის განპირობებული. არ შეიძლება ვიცხოვროთ მხოლოდ დღევანდელი დღით, საჭიროა ცვლილებების განჭვრეტა და შესაბამისად დაგეგმვა, რათა კონკურენტული ბრძოლის პირობებში თავი გავიტანოთ და ეს ბრძოლა მოვიგოთ კიდევ. სტრატეგიის არჩევანთანაა დაკავშირებული კვლევების ჩატარების გეგმის შემუშავება და ინოვაციური საქმიანობის სხვა ფორმების დაგეგმვა.

**საკვანძო სიტყვები:** სტრატეგია, გარემოსთან ადაპტაცია, რესურსების ეფექტური განაწილება და გამოყენება.

### შესავალი

ინოვაციური საქმიანობის წარმატების საწინდარი სტრატეგიის სწორი არჩევანია. თუ ფირმა წინასწარ ვერ განსჭვრეტს მოსალოდნელ ცვლილებებს და ვერ მოახდენს მათზე დროულ და ადეკვატურ რეაგირებას, ის შესაძლოა კრიზისულ სიტუაციაში აღმოჩნდეს.

სტრატეგიის არჩევა ინოვაციური მენეჯმენტის უმნიშვნელოვანესი შემადგენელი ნაწილია. საბაზრო ეკონომიკის პირობებში ხელმძღვანელისთვის მხოლოდ კარგი პროდუქციის ფლობა არ კმარა. ის ყურადღებით უნდა ადევნებდეს თვალს ახალი ტექნოლოგიების გაჩენას ბაზარზე და გეგმავდეს მათ დანერგვას თავის ფირმაში, რათა არ ჩამორჩეს კონკურენტებს.

სტრატეგია შეიძლება განისაზღვროს, როგორც გადაწყვეტილებათა მიღების პროცესი. ორივე შემთხვევაში გვაქვს მიზნები (ობიექტები) და საშუალებები, რომელთა საფუძველზე და მეშვეობით მიიღწევა დასახული მიზანი (მიიღება გადაწყვეტილება).

### ძირითადი ტექსტი

სტრატეგია ეს არის კონკრეტული საწარმოს (ფირმის) სიცოცხლისუნარიანობის გაზრდისკენ გადადგმული, ლოგიკურ ერთიანობაში მოყვანილი გარკვეული ნაბიჯების ერთობლიობა<sup>1</sup>. ეს არის ყოველმხრივ დასახული მიზნების მისაღწევად კომპლექსური დეტალური გეგმა.

<sup>1</sup> პირტახია ი., სტრატეგიული მენეჯმენტი, თბ., 2013, გვ. 5.

სულ უფრო მეტი ფირმა აღიარებს სტრატეგიული დაგეგმვის აუცილებლობას და აქტიურად ნერგავს მას თავის საქმიანობაში. ეს მზარდი კონკურენციით არის განპირობებული. არ შეიძლება ვიცხოვროთ მხოლოდ დღევანდელი დღით, საჭიროა ცვლილებების განჭვრეტა და შესაბამისად დაგეგმვა, რათა კონკურენტული ბრძოლის პირობებში თავი გავიტანოთ და ეს ბრძოლა მოვიგოთ კიდევ. სტრატეგიის არჩევანთანაა დაკავშირებული კვლევების ჩატარების გეგმის შემუშავება და ინოვაციური საქმიანობის სხვა ფორმების დაგეგმვა.

სტრატეგიული დაგეგმვა ორ ძირითად მიზანს ისახავს:

1. **რესურსების ეფექტური განაწილება და გამოყენება.** ეს არის ე.წ. შიდა სტრატეგია. ასეთ დროს იგეგმება შეზღუდული რესურსების გამოყენება (მაგალითად, კაპიტალის, ტექნოლოგიის, პერსონალის). გარდა ამისა ხორციელდება საწარმოთა შექმნა სხვა ახალ დარგებში, ხდება საწარმოთა ეფექტური „პორტფელის“ ფორმირება.

2. **გარემოსთან ადაპტაცია.** იგი მიზნად ისახავს გარე ფაქტორების ცვლილებებისადმი ეფექტურ შეთანაწყობას. იგულისხმება ეკონომიკური ცვლილებები, პოლიტიკური და დემოგრაფიული სიტუაცია და სხვა.

სტრატეგიული დაგეგმვა ემყარება მთელი რიგი კვლევების ჩატარებას, მონაცემთა შეგროვებასა და ანალიზს, რათა არსებობდეს ბაზრის მუდმივი კონტროლის შესაძლებლობა. ამასთან, გასათვალისწინებელია ისიც, რომ თანამედროვე მსოფლიოში სიტუაცია ელვისებური სისწრაფით იცვლება. შესაბამისად, სტრატეგია ისე უნდა შემუშავდეს, რომ საჭიროების შემთხვევაში, ის ჩანაცვლდეს მეორეთი.

სტრატეგიის შემუშავება იწყება ორგანიზაციის საერთო მიზნების ჩამოყალიბებით, რაც ცხადი უნდა იყოს ნებისმიერი ადამიანისთვის. მიზნების დასახვა მნიშვნელოვან როლს ასრულებს გარე გარემოსთან, ბაზართან და მომხმარებლებთან ფირმის კავშირურთიერთობაში.

ორგანიზაციის ზოგადი მიზნები ითვალისწინებს:

- ფირმის საქმიანობის ძირითად მიმართულებებს;
- მუშაობის პრინციპებს გარე ფაქტორებთან მიმართებაში (ვაჭრობის პრინციპები, მომხმარებელთან დამოკიდებულება, საქმიანი კავშირების წარმართვა);
- ორგანიზაციის ტრადიციებს, კულტურას, სამუშაო კლიმატს.

მიზნის დასახვის დროს საჭიროა ორი ასპექტის გათვალისწინება: ვინ არიან ფირმის კლიენტები და მათი რა მოთხოვნილებების დაკმაყოფილება შეუძლია ფირმას.

ზოგადი მიზნების (მიზნის) დასახვის შემდეგ იწყება მეორე ეტაპი – მიზნების დაკონკრეტება. შეიძლება გამოიყოს შემდეგი ძირითადი მიზნები:

- **პირველი მიზანი** – მოგების მიღება – მიმდინარე წელს მიღწეულ იქნას წმინდა მოგება 5 მლნ ფულადი ერთეული.
- **მეორე მიზანი** – ბაზრების ათვისება – ბაზრის წილი გახდეს 20% ან გაყიდვების მოცულობა გაიზარდოს 40 ათას ერთეულამდე.
- **მესამე მიზანი** – მწარმოებლურობის ზრდა – ერთ თანამშრომელზე საშუალოდ ერთ საათში უნდა იწარმოებოდეს 8 ერთეული პროდუქცია.
- **მეოთხე მიზანი** – პროდუქცია (გამოშვების მთლიანი მოცულობის ზრდა, ახალი პროდუქციის წარმოება ან ზოგიერთი მოდელის წარმოებიდან ამოღება და სხვ.).



- **მეხუთე მიზანი** – ფინანსური რესურსები (კაპიტალის ზრდა და მასში საკუთარი და სასესხო კაპიტალის თანაფარდობის შეცვლა, საბრუნავი კაპიტალის ბრუნვადობის დაჩქარება და სხვა).
- **მეექვსე მიზანი** წარმოების სიმძლავრის მატება (მაგალითად, ახალი სასაწყობო ნაგებობის აშენება მთლიანი ფართობით 4000 მ<sup>2</sup>).
- **მეშვიდე მიზანი** – სამეცნიერო-კვლევითი და საცდელ-კონსტრუქტორული სამუშაოები და ახალი ტექნოლოგიების დანერგვა (ძირითადი მაჩვენებლები, ტექნოლოგიური მახასიათებლები, ღირებულება, დანერგვის ვადები).
- **მერვე მიზანი** – ცვლილებები ორგანიზაციის სტრუქტურასა და საქმიანობაში (მაგალითად, ფირმის წარმომადგენლობის გახსნა განსაზღვრულ რეგიონში).
- **მეცხრე მიზანი** – ადამიანური რესურსის მართვის ხარისხის ამაღლება (გამოყენება, მობილობა, მოძრაობა, სწავლება და ა. შ.).
- **მეათე მიზანი** – სოციალური პასუხისმგებლობის ამაღლება (მაგალითად, გამოიყოს გარკვეული ფინანსები თანამშრომელთა ბავშვებისთვის საბავშვო ბაღის მოსაწყობად).

დასახული მიზნის მიღწევისათვის აუცილებელია გათვალისწინებულ იქნას შემდეგი მოთხოვნები:

- მიზნის ზუსტი და კონკრეტული ფორმულირება, რომელიც კონკრეტულ საზომ ერთეულში (ფულადი, ნატურალური ან შრომითი) იქნება გამოხატული.

- დროში შეზღუდვა, დათქმული ვადების დაცვა (მაგ.: ახალი მოდელის სერიული წარმოების გამართვა მესამე კვარტალის ბოლოს).

მიზნები შესაძლებელია იყოს გრძელვადიანი (10 წლამდე), საშუალო ვადიანი (5 წლამდე) და მოკლე ვადიანი (ერთ წლამდე)<sup>2</sup>. სიტუაციისა და კონტროლის შედეგების მიხედვით მიზნები იხვეწება და კონკრეტდება; მიზანი უნდა იყოს მიღწევადი და რამდენიმე მიზნის არსებობისას ისინი არ უნდა იყონ ურთიერთგამომრიცხავი.

სტრატეგიული დაგეგმვა ემყარება ფირმის შიდა და გარე ფაქტორების დაწვრილებით ანალიზს:

- ხორციელდება ყველა მიმდინარე ან მოსალოდნელი ცვლილების შეფასება დაგეგმვის პერიოდში;
- გამოიკვეთება ყველა ფაქტორი, რამაც შეიძლება ხელი შეუშალოს ფირმის საქმიანობას;
- ხდება ფირმისთვის კეთილსასურველი ფაქტორების შესწავლა.

გარე გარემოში მიმდინარე ცვლილებები და პროცესები სასიცოცხლო მნიშვნელობისაა ფირმისთვის. გარე გარემოს ძირითადი ფაქტორებია: ეკონომიკა, პოლიტიკა, ბაზარი, ტექნოლოგია, კონკურენცია. განსაკუთრებით მნიშვნელოვან ფაქტორს კონკურენცია წარმოადგენს, ამიტომ აუცილებელია ძირითადი კონკურენტების გამოვლენა და ბაზარზე მათი პოზიციების (ბაზრის წილი, გაყიდვების მოცულობა) გარკვევა. მიზანშეწონილია გამოკვლევის ჩატარება შემდეგი მიმართულებებით:

- კონკურენტთა მიმდინარე სტრატეგიის შეფასება (მათი ქმედება ბაზარზე; საქონლის წინწაწევის მეთოდების გაცნობა და ა. შ.).
- კონკურენტებზე გარემო ფაქტორთა ზეგავლენის შესწავლა;

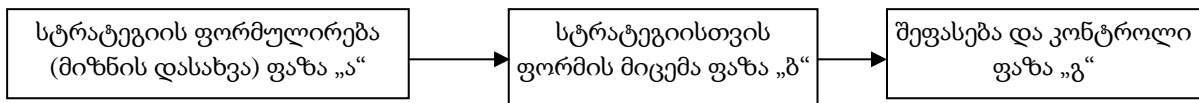
<sup>2</sup> ჩოხელი ე., სტრატეგიული მენეჯმენტი, თბ., 2013, გვ. 77-78.

- კონკურენტების მიერ სამეცნიერო-ტექნიკური მუშაობის ჩატარების შესახებ ინფორმაციის მოპოვება, კონკურენტთა სამომავლო მოქმედებების პროგნოზის გაკეთება და კონტროლმოქმედებების გეგმის შედგენა.

კონკურენტული ბრძოლის სტრატეგიის შემუშავებას ხელს უწყობს კონკურენტთა ძლიერი და სუსტი მხარეების დაწვრილებითი შესწავლა და მათი შედეგების საკუთართან შედარება.

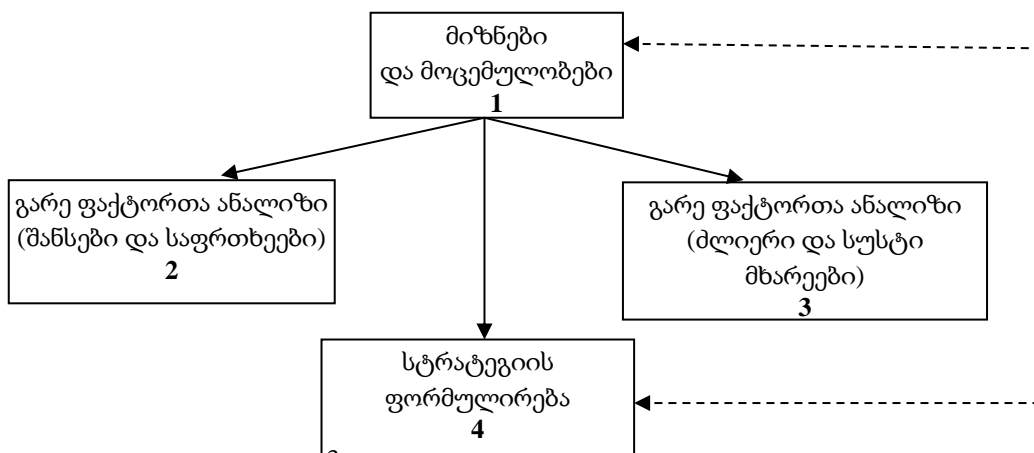
გარე ფაქტორებიდან მნიშვნელოვანია სოციალურ-ქცევითი და ეკოლოგიური ფაქტორები. ფორმამ უნდა გაითვალისწინოს ასევე ცვლილებები დემოგრაფიული სიტუაციაში, საგანმანათლებლო სფეროში და სხვა. მაგალითად, საბაზრო ეკონომიკის სპეციალისტთა მომზადების მოთხოვნილებამ 1990-იან წლებში ქვეყანაში გაზარდა მენეჯმენტისა და მარკეტინგის სახელმძღვანელოთა ბაზრები.

სტრატეგია წარმოადგენს თეორიული და ემპირული გამოკვლევების საწყის პუნქტს. ორგანიზაციები ერთმანეთისგან შეიძლება იმით განსხვავდებოდნენ, თუ რამდენად იყენებენ მათი ხელმძღვანელები სიახლეების დანერგვის სტრატეგიას. იმ შემთხვევაში, როცა უმაღლესი ხელისუფლება ცდილობს მხარი დაუჭიროს სიახლეების რეალიზებას, იმის ალბათობა, რომ ის მიღებულ იქნება ორგანიზაციაში დასაწერად, საგრძნობლად იზრდება. გადაწყვეტილებათა მიღების პროცესში უმაღლესი ხელისუფლების ჩართულობის შესაბამისად იზრდება სტრატეგიული და ფინანსური მიზნების მნიშვნელობა. შემუშავება ხდება ქვემოთ მოყვანილი ნახაზის მიხედვით (ნახაზი 1.):



ნახ. 1. სტრატეგიული დაგეგმვის ფაზები

ფაზა „ა“ ყველაზე უფრო რთულია. მისი რეალიზების მექანიზმი წარმოდგენილია ნახაზზე 2.



ნახ. 2. სტრატეგიის რეალიზების მექანიზმი

გამოყენებული წყაროები და ლიტერატურა:

1. ქ. კიწმარიშვილი - ინოვაციური მენეჯმენტი, 2016 წ.;
2. Инновационный менеджмент, под ред., С. Ильенковой, М., 2014;
3. Иновационный менеджмент, под ед., В. Горфинкеля, М., 2007;
4. [http: //www.russb](http://www.russb)

**Choose an innovative strategy**

**Ketevan Kitsmarishvili**

**Abstract**

Choosing a strategy is the most important component of innovative management. In the conditions of market economics, only owning good production for the manager is not enough. He has to watch carefully appearance of new technologies on the market and plan their introduction in his firm, so as not to lag competitors. More and more firms recognize necessity of strategic planning and actively introduce it in business activities. This is due to the growing competition. We cannot live only for today, we have to foresight changes and plan appropriately, so as in the competitive conditions in order to fight this battle to win it. To the strategy choice is related working out the plan of making researches and introduction of other forms of innovative activities too.

**Выбор инновационной стратегии**

**Кетеван Кицмаришвили**

**Резюме**

Выбор стратегии является важнейшим компонентом управления инновациями. В условиях рыночной экономики лидеру недостаточно владеть хорошей продукцией. Он должен внимательно следить за появлением новых технологий на рынке и планировать их внедрение в своей фирме, чтобы не отставать от конкурентов. Все больше компаний осознают необходимость стратегического планирования и активно внедряют его в свою деятельность. Это связано с растущей конкуренцией. Мы не можем просто жить сегодняшним днём, нам нужно предвидеть изменения и соответствующим образом планировать, чтобы выжить в конкурентной борьбе и даже выиграть эту битву. Выбор стратегии связан с разработкой плана научных исследований и планированием других форм инновационной деятельности.

უაკ: 338; 625.

## ინოვაციური როლი ეკონომიკაში ქეთევან კიწმარიშვილი\*

\*ასოცირებული პროფესორი, საქართველოს ტექნიკური უნივერსიტეტი,  
E-mail: kitsmarishviliketevan05@gtu.ge

(საქართველოს ტექნიკური უნივერსიტეტი, მ, კოსტავას №77, 0175, თბილისი,  
საქართველო)

**რეზიუმე:** XXI-ე საუკუნე თანამედროვე ტექნოლოგიების გარეშე წარმოუდგენელია. ეს არის დრო, როცა ჩვენი ცხოვრება უშუალო კავშირშია ციფრულ ტექნოლოგიასთან, სოციალურ ქსელებთან. დღევანდელ სამყაროში, ნებისმიერი საქმიანობის სფერო, განათლება, ბიზნესი, თუნდაც ადამიანური ურთიერთობები, ყველაფერი ტექნოლოგიებზე გადის. ტექნოლოგიებმა შეცვალეს ადამიანის მსოფლხედველობა. ისინი მოქმედებენ ჩვენს მესხიერებაზე, ყურადღებაზე, დიდ ზეგავლენას ახდენენ როგორც ბავშვებზე, ასევე ნებისმიერი ასაკის ადამიანზე. რაც უფრო მეტად დაიწყო ტექნიკამ განვითარება და უფრო მეტი რამ გამოიგონა ადამიანმა, მით უფრო მეტად გართულდა მისი ცხოვრება და მით უფრო ნაკლები დრო აქვს მას. ერთი შეხედვით თანამედროვე ტექნოლოგიები ამარტივებენ ადამიანის საქმიანობას და ზოგავენ მის დრო.

**საკვანძო სიტყვები:** ინოვაციური პროცესი. ტექნოლოგიური პროცესი, ხელოვნური ინტელექტი, ინფორმაციული ტექნოლოგია, სოციალური ქსელი, ციფრული ტექნოლოგია.

### შესავალი

ტექნოლოგია არის საწარმოო პროცესის, მათი განხორციელების ინსტრუქციების აღწერა, ტექნოლოგიური ნორმები, გრაფიკები, რუკები. ზოგერთი მკვლევარის აზრით, ტექნოლოგია არის საქმიანობა, რომლის შედეგადაც მიიღწევა დასახული მიზანი და ამის შემდეგ საქმიანობის ობიექტი იცვლება. სხვათა მოსაზრებით კი – ეს არის რთული პროცესის დანაწევრების გზით რეალიზების ხერხი, რომლის დროსაც ცალკეული ელემენტები გაერთიანებულია ურთიერთდაკავშირებული პროცედურებისა და ოპერაციების სისტემაში: სოციალური პროცესების ორგანიზების საშუალებებისა და ხერხების შესახებ არსებული ცოდნის ერთობლიობა ან თვით ის ქმედებები, რომელთა საშუალებითაც მიიღწევა დასახული მიზანი.

### ძირითადი ნაწილი

ტექნოლოგიური პროგრესი არის პრიორიტეტი ყველა ქვეყნისთვის რომლებსაც უნდათ ეკონომიკური განვითარება. ინოვაცია, რომელიც დაკავშირებულია კონკურენტუნარიანობასთან, მწარმოებლურობასთან და სამუშაო ადგილების შექმნასთან, მიჩნეულია საციცოცხლო ძალად ეკონომიკური ზრდისთვის. (Romer, 1986). 1. ეს ძალა, დამოკიდებული იმ ცოდნის შექმნის, დაგროვების და გავრცელება/დანერგვის პროცესთან, ლოკალიზებულია ინოვაციური ფირმების კლასტერებში (ჯგუფებში), რომლებიც ზოგჯერ არიან მჭიდრო თანამშრომლობაში საჯარო ინსტიტუტებთან (კვლევითი ცენტრები და

უნივერსიტეტები).<sup>3</sup> დღეს გლობალიზაციისა და ტექნოლოგიური ცოდნის სწრაფი გავრცელების გამო ფირმები იძულებული არიან მეტად დანერგონ ინოვაციები და გააფართოვონ ტექნოლოგიური შესაძლებლობები. ეს შეიძლება განხორციელდეს ან კვლევა-განვითარებით ან გარეგანი ტექნოლოგიური ცოდნა/გამოცდილების წვდომით. საერთო შეთანხმებებმა ხელი შეუწყო ცოდნის გაზიარებას და ტრანსფერს იმ საწარმოებს შორის, რომელიც ცნობილია როგორც მნიშვნელოვანი (კვაზი-საბაზრო) მექანიზმი ასეთი გარეგანი ცოდნის მიღებისთვის. (Schilling, 2008). 2. ადგილობრივ დონეზე ზრდა დამოკიდებულია იმ ტექნოლოგიურ აქტივობაზე რომელიც მიმდინარეობს ადგილობრივად და გარეგანი ტექნოლოგიური მიღწევების გამოყენებაზე აღნიშნული ტექნოლოგიების დანერგვით. (Martin and Ottaviano, 2001, Grossman and Helpman, 1994, Coe and Helpman, 1995).<sup>4</sup> დღევანდელი ინოვაციური პროცესები საკმაოდ რთულია და მათი მართვა მოითხოვს ინოვაციების განვითარების კანონზომიერებების ცოდნას. ინოვაციების მართვა ზოგადი მენეჯმენტის სპეციალისტს არ შეუძლია. ამისათვის საჭიროა ინოვაციების მენეჯერების მომზადება, მათ უნდა ჰქონდეთ საინჟინრო-ეკონომიკური ცოდნა და სამეცნიერო-ტექნოლოგიური და ფსიქოლოგიური პოტენციალი. ეს ის ხალხია, რომლებმაც უნდა შექმნან ქვეყნის ინოვაციური პოლიტიკა, მხარში დაუდგნენ და მართონ ქვეყანაში მიმდინარე სიახლეების შექმნის პროცესი, რომელიც თავის მხრივ, დაეფუძნება ქვეყნის სამეცნიერო-ტექნიკურ პოტენციალს. საქართველოს ეკონომიკის განვითარების დღევანდელ ეტაპზე მეტად მნიშვნელოვანია ტრადიციული ეკონომიკის გადასვლა ახალ, ანუ „ინოვაციურ ეკონომიკაზე. მას „მაღალ ტექნოლოგიების ეკონომიკასაც“ უწოდებენ. ეს პროცესი მთელ მსოფლიოში მიმდინარებს.

ეკონომიკაში მიმდინარე ინოვაციურმა პროცესებმა დიდი ხანია სპეციალისტების ყურადღება მიიპყრეს და ინოვაცია მენეჯმენტის ობიექტად აქციეს. მათი სასარგებლო თავისებურება იმაში მდგომარეობს, რომ ინოვაციური პროცესების მეშვეობით არა მხოლოდ ბაზარზე წარმოდგენილი მოთხოვნის ხელსაყრელი და რაციონალური დაკმაყოფილება ხერხდება, არამედ თვით მოთხოვნის ფორმირებაზე აქტიური ზემოქმედებაც. მსოფლიო პრაქტიკა მოწმობს, რომ ინოვაციები არის წინააღმდეგობების გადაჭრის და კრიზისების დაძლევის მეტად მძლავრი ბერკეტი. ამიტომ არის, რომ თანამედროვე პირობებში საწარმოს ინოვაციური აქტიურობა კოკურციულ ბრძოლაში მისი გადარჩენის მთავარ ფაქტორად ითვლება.

ტექნოლოგიურმა პროგრესმა ასევე მოგვცა საშუალება მოვიხმაროთ ახალი საქონელი და მომსახურება. ეკონომიკური განვითარება ეკონომიკის მასშტაბების თვისებრივად ახალ, უფრო სრულყოფილ მდგომარეობაში გადასვლას ნიშნავს. გასაკვირი არაა, რომ სწორედ ტექნოლოგიური პროგრესი გვაძლევს ბიძგს ამ პროცესის სწორად წარმართვისთვის. ტექნოლოგიური პროცესი ხორციელდება ინოვაციების მეშვეობით. ასეთი იყო სამრეწველო რევოლუცია, სტანდარტიზაცია, მექანიზაცია, კონვეიერული ხაზები. მათი მეშვეობით შესაძლებელი გახდა უწყვეტი, მოქნილი საწარმოო ტექნოლოგიის სრულყოფა, რამაც მწარმოებლობის ამაღლება გამოიწვია. ამას თან დასდევს ადამიანის როლისა და ფუნქციების შეცვლა წარმოების პროცესში და საბოლოოდ, ქვეყნის საწარმოო შესაძლებლობათა ზრდა. ადამიანის საქმიანობის ყველა სფეროში მნიშვნელოვანი ადგილი მაღალ ტექნოლოგიებს უკავია. განსაკუთრებულ ცვლილებებს იწვევს მათი გამოყენება

<sup>3</sup> Romer P. M. (1986) Increasing Returns and Long-run Growth, Journal of Political Economy, 94, 1002-37.

<sup>4</sup> Schilling, M.A. (2008) Understanding the alliance data, Strategic Management Journal 30(3), 233-260.



ეკონომიკაში. მაღალი ტექნოლოგიები ეკონომიკის განვითარების ტენდენციებს ცვლის, როგორც ლოკალური, ისე გლობალური მასშტაბით. ის, ქვეყანაში კონკურენტუნარიანობისა და კეთილდღეობის ზრდის კვალობაზე, მნიშვნელოვნად განსაზღვრავს ეროვნული ეკონომიკის ადგილს მსოფლიო ეკონომიკაში. მაღალი ტექნოლოგიების საფუძველზე წარმოების ორგანიზაციის სრულყოფის, საქონლისა და მომსახურების ახალ სახეობათა შექმნის შედეგად, მცირდება ტრანსაქციური და ტრანსფორმაციული დანახარჯები. იზრდება რესურსების რაციონალური გამოყენების შესაძლებლობები. იცვლება წარმოების ორგანიზაციის ფორმები და მეთოდები და, რაც ყველაზე მნიშვნელოვანია, ადამიანის ადგილი და როლი, როგორც წარმოებაში, ისე ყოფაცხოვრებაში. თუ გადავავლებთ თვალს კაცობრიობის ისტორიას, საზოგადოების პროგრესი და მისი გადასვლა ახალ თვისებრივობაში ყოველთვის დაკავშირებული იყო ახალი ტექნოლოგიების დანერგვასთან. ბუნებრივია, გარკვეული დროის შემდეგ მაღალი ტექნოლოგიები კარგავენ თავიანთ მნიშვნელობას და ადგილს უთმობენ სულ უფრო და უფრო ახალ ტექნოლოგიებს. მაგალითად, თანამედროვე ეტაპზე უმაღლესი ტექნოლოგიების დარგებიდან გამოირჩევა ელექტრონიკა. სწორედ მისმა განვითარებამ გახადა შესაძლებელი, შექმნილიყო გამოთვლითი ტექნიკა, საინფორმაციო-გამზომი სისტემები, ინტეგრალური სქემები, კონდენსატორები, რადიო, ტელევიზორი, კომპიუტერი, რობოტები და ა.შ. აშკარაა, რომ მათი გამოყენების გარეშე ვერ იარსებებდა ეკონომიკის ვერცერთი დარგი და ადამიანთა საქმიანობის ვერცერთი სფერო. ეს კი, წარმოუდგენელს ხდის ინფორმაციის მოპოვების, გადამუშავების, გადაცემისა და გამოყენების თანამედროვე დონეს.

აღსანიშნავია აგრეთვე ინფორმაციული და ტელეკომუნიკაციური ტექნოლოგიების მნიშვნელობა, ვინაიდან ისინი განაპირობებს ეკონომიკაში ახალი სტრუქტურის ჩამოყალიბებას, რომელიც მოიცავს ეკონომიკური და სოციალური საქმიანობის თითქმის ყველა სფეროს. მაღალ ტექნოლოგიებთან დაკავშირებულია კიდევ ერთი მნიშვნელოვანი სფერო. ეს გახლავთ ხელოვნური ინტელექტი. ის გულისხმობს ისეთი მანქანების შექმნას, რომელსაც გააჩნია ცოცხალი ორგანიზმის, მათ შორის ადამიანის, ნიშნები, როგორცაა მსჯელობა, აღქმა, მოძრაობა და სხვა. დღეისათვის საუბარი შეგვიძლია არა მხოლოდ ხელოვნურ ინტელექტზე, არამედ „მოაზროვნე“ მანქანებზე, რომელთაც აქვთ ადამიანის ტვინის მსგავსი მოწყობილობები. „მოაზროვნე“ მანქანების საკითხთან დაკავშირებით, ბევრ მკვლევარს მიაჩნია, რომ დაიწყება „მოაზროვნე ტექნოსფეროს ეპოქა“. ტექნოსფერო წარმოადგენს ტერმინს თანამედროვე ცივილიზაციის აღსაწერად, რომელიც ხასიათდება ტექნოლოგიისა და მეცნიერული მეთოდების ფართო გამოყენებით სინამდვილის გარდასაქმნელად. იგი შექმნილია ადამიანების მიერ და მასში მთავარ როლს ასრულებს ინფორმაციულ-ტელეკომუნიკაციური ტექნოლოგიები. მოაზროვნე ტექნოსფერო ისარგებლებს გაცილებით დიდი შესაძლებლობებით ვიდრე ცალკე აღებული მოაზროვნე მანქანა, რადგანაც მოაზროვნე ტექნოსფერო წარმოადგენს ასეთი მანქანების მოწესრიგებულ ერთობლიობას. ამრიგად, მაღალი ტექნოლოგიები ეკონომიკური განვითარების ერთ-ერთი მთავარი ფაქტორია, ვინაიდან იგი იწვევს ეკონომიკური სისტემის ყველა ელემენტის განვითარებასა და სრულყოფას.

ინოვაციებისა და ტექნოლოგიების განვითარების სფეროში სახელმწიფო პოლიტიკის მთავარ ამოცანას წარმოადგენს ინოვაციური საქმიანობის და უახლესი ტექნოლოგიების ტრანსფერის და დანერგვის ხელშეწყობა. ასევე მნიშვნელოვანია გარემოს დაცვაზე ორიენტირებული თანამედროვე ტექნოლოგიების დანერგვის და მწვანე

ეკონომიკის განვითარების წახალისება. კერძო სექტორის განვითარების და კონკურენტუნარიანობის ამაღლების მიზნით, მთავრობა ხელს შეუწყობს კვლევასა და განვითარებას, რაც, თავის მხრივ მოიცავს როგორც გამოყენებითი კვლევების განხორციელების ხელშეწყობას მათი სახელმწიფო დაფინანსების ეფექტიანობის ზრდის, ასევე, სხვა ინსტრუმენტების შემუშავების მეშვეობით. მთავრობა ასევე ხელს შეუწყობს ფინანსებზე ხელმისაწვდომობის ზრდას განსაკუთრებით მცირე და საშუალო საწარმოებისთვის, რომლებიც, თავის მხრივ, ინოვაციის მამოძრავებლებია.

საინფორმაციო და საკომუნიკაციო ტექნოლოგიების მაქსიმალურად ფართოდ გამოყენების ხელშეწყობა მნიშვნელოვანია როგორც ბიზნესის კონკურენტუნარიანობის ზრდის, ასევე მოსახლეობისთვის. ამისთვის, მთავრობა ხელს შეუწყობს სატელეკომუნიკაციო ინფრასტრუქტურის გაუმჯობესებას. ინოვაციების და თანამედროვე ტექნოლოგიების განვითარებისთვის, საქართველოს მთავრობა წახალისებს ისეთი პირდაპირი უცხოური ინვესტიციების შემოღინებას, რომელიც მიმართული იქნება მოწინავე ტექნოლოგიების შემოტანასა და დანერგვაზე. განსაკუთრებით კი, გარემოს დაცვაზე ორიენტირებული რესურსდამზოგავი ტექნოლოგიების დანერგვაზე და მწვანე ეკონომიკის განვითარებაზე.

### დასკვნა

ტექნოლოგიებში გაუმჯობესება ნიშნავს იმას, რომ იმავე რესურსებით შესაძლებელია პროდუქციის უფრო მეტი რაოდენობის წარმოება. ამგვარად, ტექნოლოგიური პროგრესი მუდმივი ეკონომიკური ზრდის გასაღებია. აღვნიშნეთ ისიც, რომ ახალი ტექნოლოგიების შექმნა მოითხოვს რესურსების დაბანდებას. სწორედ მაღალი დონის ტექნოლოგიები აიძულებს ეკონომიკას გადავიდეს ახალ, უფრო სრულყოფილ მდგომარეობაში. ტექნოლოგიების მზარდი დონე იწვევს ეკონომიკის სისტემის თითოეული ელემენტის განვითარებასა და სრულყოფას. ამრიგად, შეგვიძლია დავასკვნათ, რომ ტექნოლოგიები წარმოადგენს კაცობრიობის განვითარების უმძლავრეს მექანიზმს, რომლის საშუალებით, ადამიანს შეუძლია განუწყვეტლივ გაიუმჯობესოს ცხოვრება.

### გამოყენებული წყაროები და ლიტერატურა:

5. ქ. კიწმარიშვილი - ინოვაციური მენეჯმენტი, 2016 წ.;
6. Инновационный менеджмент, под ред., С. Ильенковой, М., 2014;
7. Иновационный менеджмент, под ед., В. Горфинкеля, М., 2007;
8. <http://www.russb>

**The role of Innovative technologies in Economy**  
**Ketevan Kitsmarishvili**

**Abstract**

It is impossible to imagine XXI century without modern technology. It is time, when our life is connected to digital technologies, social networks. In today's world, any field, education, business, human relationships, everything connects with technologies. Technologies have changed people's worldview. They affect our memory, attention, have great impact on children as well as on a person of any age. More technology is being developed and more things are invented by humans, life of people became more difficult. At first glance modern technologies make people's lives easier and save their time, but today a human cannot have free time, he/she will immediately start a new job. Besides, his/her life requires more and more expenses so he/she looks for additional income. Nowadays, in the circumstances of rapid diffusion of globalization and technological knowledge firms have to adopt more innovations and increase technological abilities. This can be realized by Research&Development or access to external technological knowledge.

**Keywords:** Innovative progress. Technological progress, artificial intellect, informative technology, social network, digital technology.

**Инновационная роль в экономике**

**Кетеван Кицмаришвили**

**Резюме**

XXI век немислим без современных технологий. Это время, когда наша жизнь напрямую связана с цифровыми технологиями, социальными сетями. В современном мире любая сфера деятельности, образование, бизнес, даже человеческие отношения – все держится на технологиях. Технологии изменили мировоззрение человека. Они влияют на нашу память, внимание, оказывают большое влияние как на детей, так и на взрослых любого возраста. Чем больше стали развиваться технологии и чем больше вещей изобретал человек, тем сложнее становилась его жизнь и тем меньше у него оставалось времени. На первый взгляд современные технологии упрощают деятельность человека и экономят его время.

უაკ: 338; 625.

## ტექნოლოგიური ინოვაციების გავლენა განვითარებაზე ქეთევან კიწმარიშვილი\*

\*ასოცირებული პროფესორი, საქართველოს ტექნიკური უნივერსიტეტი,

E-mail: kitsmarishviliketevan05@gtu.ge

(საქართველოს ტექნიკური უნივერსიტეტი, მ, კოსტავას №77, 0175, თბილისი,  
საქართველო)

**რეზიუმე:** განათლების სისტემაში ტექნოლოგიური ინოვაციების როლის მნიშვნელობა საგრძნობლად გაიზარდა. ეს განპირობებულია ცოდნის რესურსების აუცილებლობით ინოვაციურ ეკონომიკაში. სწორედ ეს რესურსი შემოქმედებითი მიდგომისა და ინოვაციების გამოყენებით იძლევა ცოდნის გადაცემის მოდელის სრულყოფის საშუალებას. ტექნოლოგიამ შეცვალა ჩვენი ცხოვრების, წესი და ისინი ჩვეულებრივი მოვლენა გახდა ჩვენს ყოველდღიურ ცხოვრებაში. საზოგადოება დროთა განმავლობაში ვითარდება. ახალი ინფორმაციული და საკომუნიკაციო ტექნოლოგიების ჩართვა, მხოლოდ დროის საკითხი იყო განათლებაში. ეს საშუალებას იძლევა ინფორმაციის მიღება სულ ახალი და უფრო სწრაფად მოხდეს, ვიდრე წლების წინ და ასევე საშუალებას იძლევა მისი გენერირება და გადაცემა. დღესდღეისობით, ისე როგორც არასდროს, ფასდაუდებელია საგანმანათლებლო ტექნოლოგიების როლი სასწავლო პროცესში, რადგან იგი შესაძლებლობას აძლევს პედაგოგებს, სწავლების სხვადასხვა მეთოდთან ტექნოლოგიების იტეგრირებით უფრო მეტ შედეგს მიაღწიონ.

**საკვანძო სიტყვები:** ტექნოლოგიური ინოვაცია, სოციალური ქსელი, ინტერნეტი, საგანმანათლებლო ტექნოლოგიები.

### შესავალი

ჩვენს დროში ძალიან ბევრი პრობლემა არის აქტუალური, თუმცა მათგან ყველაზე გამორჩეული და განჯის საგანი არის სწორედ განათლების პრობლემა და მასთან დაკავშირებული საკითხები. განათლება ესაა პროცესი, რომელიც შეგნებულად არის მიმართული ადამიანის ფიზიკური, ინტელექტუალური და მორალური უნარ-ჩვევების განვითარებისკენ. განათლებაში აგრეთვე იგულისხმება შედეგი – ცოდნის სახით. განათლების მიღების ძირითადი გზაა სწავლა საგანმანათლებლო დაწესებულებებში, რომლებიც კავშირშია აღზრდასთან. განათლების საერთო და სპეციალური დონე განპირობებულია საზოგადოებრივ ურთიერთობათა, მეცნიერების, ტექნიკისა და კულტურის წარმოების მოთხოვნებით.

### ძირითადი ნაწილი

თანამედროვე ინფორმაციული ტექნოლოგიების განვითარების მაღალი ტემპი ახალი გამოწვევების წინაშე აყენებს სასწავლო პროცესს. სულ უფრო ხშირად ჩნდება შეკითხვები, თუ როგორ უნდა შეიქმნას სასწავლო პროცესში ტექნოლოგიური საშუალებების გამოყენების ისეთი მოდელები, რომლებიც დროს გაუძლებს და ახალი ტექნოლოგიების მორიგ ტალღასთან ერთად არ მოძველდება. ბოლოა თწლეულის განმავლობაში სხვადასხვა ქვეყნების განათლების სისტემებში ძირეული ცვლილებები შეიმჩნევა. საქართველოში ინოვაციური დინამიკა ცალმხრივი არ არის. ის ხასიათდება ზრდის ტემპით. ყველაზე კრიტიკული მდგომარეობა განათლებასა და იფრასტრუქტურის სფეროშია. სახელწიფო გულგრილი არ არის ინოვაციური იდეების ხელშწყობის მიმართ და ყველანაირად ცდილობს შექმნას კონფორტული გარემო, სადაც ამ მხრივ განვითარების პოტენციალი კიდევ უფრო გაიზრდება. განათლები თანამედროვე სისტემისთვის



აქტუალურია ინოვაციური პროცესების ტექნოლოგიური უზრუნველყოფა. საგანმანათლებლო სფეროში ინოვაციების შექმნის, ათვისების და გავრცელების პარალელურად ფორმირდება ახალი, თანამედროვე განათლების სისტემა, რომელსაც ახასიათებს:

- ახალი საგანმანათლებლო ტექნოლოგიები–ტექნოლოგიური ინოვაციები;
- განათლების სფეროში ახალი ეკონომიკური მექანიზმები–ეკონომიკური ინოვაციები;
- განათლებისა და სწავლების ახალი მეთოდები და ხერხები–პედაგოგიური ინოვაციები;
- განათლების სფეროში ახალი ორგანიზაციული სტრუქტურა და ინსტიტუციური ფორმები–ორგანიზაციული ინოვაციების ერთობა.

თანამედროვე განათლების საფუძველს წარმოადგენს ტექნოლოგიური ინოვაციები, კერძოდ, კომპიუტერული და ტელეკომუნიკაციური ტექნოლოგიები. თანამედროვე განათლების მენეჯმენტის მნიშვნელოვან თავისებურებას ქმნის ფაქტი, რომ ზემოთ ჩამოთვლილი ტექნოლოგიების გამოყენებას თან სდევს რადიკალური ცვლილებები პედაგოგიკის მეთოდებსა და ხერხებში, პედაგოგთა და სტუდენტებს შორის ორგანიზებაში, ეკონომიკურ მექანიზმში და განათლების თეორიასა და მეთოდოლოგიაშიც კი. ამასთან, ტექნოლოგიების არჩევა განიხილება არა როგორც ტექნოლოგიური საკითხი, არამედ როგორც ინოვაციური მენეჯმენტის პრობლემა განათლების სფეროში. მისი ეფექტურად გადაწყვეტისთვის საჭიროა განათლების სისტემის ყველა ქვესისტემასა და ელემენტებს შორის კავშირების რეგულირება.

ბოლო ათწლეულის განმავლობაში სხვადასხვა ქვეყნების განათლების სისტემებში ძირეული ცვლილებები შეიმჩნევა. განათლების თანამედროვე სისტემისთვის აქტუალურია ინოვაციური პროცესების ტექნოლოგიური უზრუნველყოფა. საგანმანათლებლო სფეროში ინოვაციების შექმნის, ათვისების და გავრცელების პარალელურად ფორმირდება ახალი, თანამედროვე განათლების სისტემა, რომელსაც ახასიათებს:

- ახალი საგანმანათლებლო ტექნოლოგიები–ტექნოლოგიური ინოვაციები;
- განათლების სფეროში ახალი ეკონომიკური მექანიზმები–ეკონომიკური ინოვაციები;
- განათლებისა და სწავლების ახალი მეთოდები და ხერხები–პედაგოგიური ინოვაციები;
- განათლების სფეროში ახალი ორგანიზაციული სტრუქტურა და ინსტიტუციური ფორმები–ორგანიზაციული ინოვაციების ერთობა.

თანამედროვე განათლების საფუძველს წარმოადგენს ტექნოლოგიური ინოვაციები, კერძოდ, კომპიუტერული და ტელეკომუნიკაციური ტექნოლოგიები. თანამედროვე განათლების მენეჯმენტის მნიშვნელოვან თავისებურებას ქმნის ფაქტი, რომ ზემოთ ჩამოთვლილი ტექნოლოგიების გამოყენებას თან სდევს რადიკალური ცვლილებები პედაგოგიკის მეთოდებსა და ხერხებში, პედაგოგთა და სტუდენტებს შორის ორგანიზებაში, ეკონომიკურ მექანიზმში და განათლების თეორიასა და მეთოდოლოგიაშიც კი. ამასთან, ტექნოლოგიების არჩევა განიხილება არა როგორც ტექნოლოგიური საკითხი, არამედ როგორც ინოვაციური მენეჯმენტის პრობლემა განათლების სფეროში. მისი ეფექტურად გადაწყვეტისთვის საჭიროა განათლების სისტემის ყველა ქვესისტემასა და ელემენტებს შორის კავშირების რეგულირება.

ყოველდღიურად უამრავი ადამიანი კარგავს უძვირფასეს დროს სხვადასხვა ინტერნეტ-საიტებზე, ბლოგებზე, სოციალურ ქსელებში. დღეს არავის უკვირს Facebook-ი, რომელზეც თითქმის ნახევარი მსოფლიოა დარეგისტრირებული, მეტი თუ არა. თუმცა ფაქტია, ადამიანური ურთიერთობები ვირტუალური სამყაროს მიღმა რჩება. ვერ ვაცნობიერებთ ბოლომდე ყოველდღიურად რამდენ დროს ვკარგავთ, როგორ გვითრევს და თავისკენ გვიზიდავს ეს ყველაფერი. რამდენად დავზოგადით გარე სამყაროს და როგორ ნელ-ნელა გვაკარგვინებს იმ დროს, რომელიც არასოდეს დაბრუნდება. რა ემართება



„ცოცხალ“ ურთიერთობებს?! რატომ ურჩევნია მასას ინტერნეტის მეშვეობით ისაუბროს უფრო მეტი და უფრო გახსნილი იყოს, ვიდრე რეალურ ცხოვრებაში?! პასუხი ნათელია, სწორედ ვირტუალუბა ანიჭებს ადამიანებს მეტი თავისუფლების შეგრძნებას და ისინი სოც. მედიაში ახალ თვისებებს ავლენენ, ან უბრალოდ ისეთ რამეზე საუბრობენ, რაზეც ცხოვრებაში საუბარი გაუჭირდებოდათ. სოციალური ქსელი ადამიანს საშუალებას აძლევს თითქმის იდეალური სახით წარმოაჩინოს საკუთარი თავი. შეიქმნას ის იმიჯი, რაც მას სურს. ჰქონდეს უფრო მეტი თავისუფლება, მეტი შემოქმედებითობა, თუნდაც თამაშის ელემენტები, რომელიც ეხმარება დაიმკვიდროს თავი ვირტუალურ საზოგადოებაში, მაშინ როცა რეალურ ცხოვრებაში სრულიად სხვა ადამიანი იყოს. ალბათ ეს არის პიროვნულ თვისებებთან მიმართებაში სოციალური მედიის და ვირტუალური სამყაროს მთავარი გზავნილი. გარდა იმისა, რომ სოც. ქსელებზე დამოკიდებულება იზრდება და მცირდება ადამიანური ურთიერთობები, ჩნდება ისეთი პრობლემები, როგორცაა მხედველობის გაუარესება, მეხსიერების დაქვეითება, უძილობა, მუდმივი გადაღლილობა. სოციალური მედია და ინტერნეტი აქვეითებენ ადამიანის ყურადღების კონცენტრაციის უნარს. ციფრულ მედიაში ჩაფლულ ადამიანებს უჭირთ წიგნების თუ ლიტერატურის წაკითხვა. ეს საკითხი ყველაზე მკაფიოდ ჩანს ახალგაზრდა, თინეიჯერ თაობაში რომელთა ტვინი ჯერ კიდევ ჩამოყალიბების პროცესშია და შეიძლება ვერ განავითაროს კონცენტრაციის უნარი. გარდა იმისა, რომ სოც. ქსელებზე დამოკიდებულება იზრდება და მცირდება ადამიანური ურთიერთობები, ჩნდება ისეთი პრობლემები, როგორცაა მხედველობის გაუარესება, მეხსიერების დაქვეითება, უძილობა, მუდმივი გადაღლილობა.

სულ რამდენიმე წელიწადში საშუალო ადამიანის ცხოვრების სტილი იმაზე მეტად გამოიცვალა, ვიდრე ეს მანამდე საუკუნეების განმავლობაში მომხდარა. ყოველდღიურ ცხოვრებაზე ალბათ ყველაზე ძლიერი ზემოქმედება საკომუნიკაციო ტექნოლოგიებმა მოახდინეს, კერძოდ კომპიუტერისა და ინტერნეტის შეჭრამ ადამიანის ყოფაში. საზოგადოების ნაწილის აზრით, ეს ტექნოლოგიები დაუპატიჟებლად მოვიდნენ და ჩვენც მხოლოდ გულუბრყვილობით მივეცით შესაძლებლობა დაეკავებინათ ისეთი ფუნდამენტალური ადგილი, როგორც მანამდე წიგნს ეკავა. ისინი ფიქრობენ, რომ ეს ცვლილება უარყოფითად აისახა წიგნიერების დონეზე, თუმცა ჩემი აზრით ეს მხოლოდ ფუჭი ღელვაა. ძნელია ისეთი ბიბლიოთეკის პოვნა, რომელიც ინტერნეტს გაეჯიბრება საკუთარი მოცულობითა და ადამიანებისთვის ინფორმაციაზე წვდომის შესაძლებლობის მიცემით. ამ ფონზე, გასაკვირიც არ არის, რომ ინტერნეტმა თითქმის სრულად ჩაანაცვლა წიგნი, როგორც ინფორმაციის მოპოვების გაცილებით ჩქარმა და ეფექტურმა საშუალებამ. ციფრული ტექნოლოგია ჩვენი ცხოვრების ყოველდღიური ნაწილია ტელეფონებისა და სხვა ელექტრონული მოწყობილობის გამოყენება კი უმრავლესობის სტიქიაა. მაგრამ განა ყოველთვის ვასწავლით მათ,თუ როგორ უნდა გამოიყენონ ტექნოლოგიები სწორად?სწორედ აქ შემოდის ასპარეზზე „ციფრული მოქალაქის“ ცნება. აუცილებელია ციფრული სამყაროს წესები ვასწავლოთ ყველა მსურველს,რათა უსფრთხო და პასუხისმგებლობის მქონე ციფრულ მოქალაქეებად იქცნენ ინოვაციები თამაშობენ მნიშვნელოვან როლს ბიზნესის მართვაში. ეს ეხება როგორც პროდუქციის წარმოებას, ბიზნეს პროცესების ორგანიზებას და სხვა.დღესდღეობით გლობალიზაციისა და ტექნოლოგიების განვითარების კვალდაკვალ ფირმები იძულებული არიან დანერგონ ახალი ტექნოლოგიები მათი ვეფექტურობის გაზრდის მიზნით. აქედან გამომდინარე ძალიან დიდი მნიშვნელობა ენიჭება ახალი მეცნიერული ცოდნის შექმნას, რაც კვლევა-განვითარებაზეა დაფუძნებული, რადგან ახალი ტექნოლოგიები სწორედ ამ სამეცნიერო ცოდნის საფუძველზე იქმნება.

## დასკვნა

პირველ რიგში, ტექნოლოგიური განვითარება, კაცობრიობის არსებობის მთელი

ისტორიის მანძილზე, განაპირობებდა ადამიანის საცხოვრებელი პირობებისა და უშუალოდ ცხოვრების ხარისხის გაუმჯობესებას. ცეცხლის აღმოჩენიდან მოყოლებული და უახლესი, მოდერნიზებული რობოტოტექნიკის წარმოებამდე მოსული ტექნოლოგიამ გრძელი და საინტერესო გზა გაიარა. აგრეთვე აღსანიშნავია ის გარემოება, რომ ტექნოლოგიის განვითარება უწყვეტად ხდება, ვინაიდან ადამიანს მუდმივად სჭირდება გაუმჯობესებული და უფრო მაღალი დონის პირობები. ახალი ტექნოლოგიების გამოყენებამ შეცვალა ტრადიციული გზა, რომლის სწავლება და სწავლა გვიწევდა. ისტორიის წყალობით დღეს მიღებული განათლება უფრო ეფექტური და სწრაფია.

### გამოყენებული წყაროები და ლიტერატურა

1. ქ. კიწმარიშვილი. ინოვაციური მენეჯმენტი. 2016 წ.
2. Инновационный менеджмент, под ред. С. Ильенковой, М., 2014.
3. Иновационный менеджмент, под ед. В. Горфинкеля, М., 2007.
4. <http://www.russba.ru/>
5. <https://data.oecd.org/rd/gross-domestic-spending-on-r-d.htm>
6. <https://www.coindesk.com/price/bitcoin>
7. <https://ka.wikipedia.org/wiki>

### **Influence of technological innovations on education**

**Ketevan Kitsmarishvili**

#### **Abstract**

In educational system the role of technological inventions have been increased. This is because of the necessity of educational recourse in innovational economics. Technology has changed our lifestyle, it Is an usual thing for our daily life. Society is being developed and contains new technologies that is why educational system is different. Using New informative and communicative technologies was depended on time. This gives us opportunity to receive new information faster than years ago. Nowadays the role of new technologies is unique because it gives opportunities teachers to reach more and more, better result by integration with technologies.

**Keywords:** Technological Innovations, Social Network, Internet, Educational Technologies.

### **Влияние технологических инноваций на развитие**

**Кетеван Кицмаришвили**

#### **Резюме**

Значительно возросла значимость роли технологических инноваций в системе образования. Это обусловлено потребностью в ресурсах знаний в инновационной экономике. Именно этот ресурс, используя творческий подход и инновации, позволяет совершенствовать модель передачи знаний. Технологии изменили наш образ жизни и стали обычным явлением в нашей повседневной жизни. Общество развивается с течением временем. Внедрение новых информационных и коммуникационных технологий в образование было лишь вопросом времени. Это позволяет получать информацию свежее и быстрее, чем много лет назад, а также позволяет ее генерировать и передавать. Сегодня, как никогда ранее, роль педагогических технологов в процессе обучения неопределима, поскольку позволяет учителям достигать более высоких результатов за счет интеграции технологий с различными методами обучения.

სამეცნიერო ნაშრომის რედაქციაში წარმოდგენის წესი

საქართველოს ტექნიკური უნივერსიტეტის სატრანსპორტო და მანქანათმშენებლობის ფაკულტეტის ჟურნალში - “ტრანსპორტი და მანქანათმშენებლობა” სამეცნიერო ნაშრომის წარმოდგენა ხდება ქართულ, ინგლისურ და რუსულ ენებზე, რომლებიც უნდა აკმაყოფილებდეს შემდეგ მოთხოვნებს:

1. ნაშრომი უნდა შესრულდეს A4 ფორმატის ქაღალდის 1,5 ინტერვალით ნაბეჭდ გვერდზე ISO სტანდარტის მოთხოვნის მიხედვით:

- ა) ნაშრომი უნდა მომზადდეს Microsoft Word-ში ცხრილებისა და ფორმულების რედაქტორების გამოყენებით; შესაძლებელია გამოყენებულ იქნეს Microsoft Excel-ის პროგრამა;
- ბ) სამუშაო ქაღალდის მინდვრის ზომები: ზედა - 25 მმ, ქვედა - 25 მმ, მარცხენა - 25 მმ, მარჯვენა - 25 მმ;

გ) ქართულ ენაზე შესრულებული ნაშრომი უნდა აიწყოს Sylfaen – ის გარნიტურის შრიფტით, ინგლისურ და რუსულ ენებზე შესრულებული ნაშრომი კი - Times New Roman შრიფტით;

დ) ნაშრომის დასახელება უნდა აიწყოს Sylfaen გარნიტურის შრიფტით (18B); ავტორის სახელი და გვარი - Sylfaen გარნიტურის შრიფტით (14B); დასახელება ორგანიზაციის, სადაც შესრულდა სამუშაო, უნდა მიეთითოს ფრჩხილებში - შრიფტით 12B; ნაშრომის რეზიუმე უნდა შესრულდეს კურსივი შრიფტით 12; საკვანძო სიტყვები - შრიფტით 12; ნაშრომის ტექსტი - 12; რუსულ ენაზე შესრულებული ნაშრომი - შრიფტით 12; ლიტერატურის ჩამონათვალის შემდეგ ერთვის რეზიუმე ინგლისურ და რუსულ ენებზე შემდეგი მითითებით: ნაშრომის დასახელება, ავტორის (ავტორების) სახელი (სრულად) და გვარი. რეზიუმეს მოცულობა უნდა იყოს 5-15 სტრიქონი;

2. ნაშრომი წარმოდგენილი უნდა იყოს კომპაქტ დისკზე (CD-R) და ერთ ეგზემპლარად A4 ფორმატის ქაღალდზე (მკაფიოდ) დაბეჭდილი;

3. ნაშრომს თან უნდა ერთვოდეს მონაცემები ავტორის (ავტორების) შესახებ: აკადემიური ხარისხი/სამეცნიერო ხარისხი, თანამდებობა და სამუშაო ადგილი;

4. ჟურნალში ქვეყნდება მხოლოდ რეცენზირებადი ნაშრომები;

5. რედაქცია მხარს დაუჭერს ერთ ჟურნალში ერთი და იგივე ავტორების მიერ შესრულებულ არაუმეტეს სამი სტატიის გამოქვეყნებას;

6. ნაშრომის გვერდების რაოდენობა განისაზღვრება 5-დან 30 გვერდამდე;

7. ავტორი პასუხს აგებს ნაშრომის შინაარსსა და ხარისხზე; იბეჭდება ავტორთა ხარჯით.

**FOR AUTHIORS**

**procedure for submission of scientific papers in journal**

In the Journal “Transport and Machine Building” of Transport and Mechanical Engineering Faculty of Georgian Technical University manuscripts will be submitted in Georgian, English and Russian languages with satisfying of the following conditions:

1. The paper must be performed on A4 page format with interval 1,5 by requirements of ISO standard:

a) The paper must be prepared in Microsoft Word with using of redactor for the tables and formulae; is possible to use the program Microsoft Excel.

b) Margins: top – 25 mm, bottom – 25 mm, left – 25 mm, right – 25 mm.

c) Performed in Georgian paper must be typed in Sylfaen, performed in English and Russian papers – in Times New Roman.

d) Title of paper must be typed in Sylfaen (18B); name and surname of author – in Sylfaen (14B); affiliation, in parenthesis – in 13B; abstract must be performed in italic 12; keywords – in 12; body-type – in 12; performed in Russian paper – in 12; after references should have the abstracts in English and Russian with following: title of paper, name and surname of author (authors). The abstract should not exceed 5-15 lines;

2. The paper must be submitted on compact-disk (CD-R) and one copy (legible) printed on format A4;

3. The paper should be accompanied with the information about author (authors): scientific degree, rank and position;

4. Only the peer reviewed works are published in the journal;

5. The editorial supports the publishing of no more than three articles published by the same authors in one journal;

6. Size of paper’s sheet is determined in range from 5 up to 30 pages;

7. The author is wholly responsible for the contents and quality of the paper; Printed by authors.

## К СВЕДЕНИЮ АВТОРОВ

### **Порядок представления в редакцию научных работ**

В журнал “Транспорт и машиностроение” транспортного и машиностроительного факультета Грузинского технического университета научные работы представляются на грузинском, английском и русском языках с соблюдением следующих требований:

1. Работа должна быть выполнена на бумаге форматом А4 с интервалом 1,5 на печатном листе согласно требованиям стандарта ISO:

а) Работа подготавливается в Microsoft Word с использованием редакторов таблиц и формул; возможно использование программы Microsoft Excel.

б) размеры поля рабочего листа: верхнее – 25 мм, нижнее – 25 мм, левое – 25 мм, правое – 25 мм.

в) выполненная на грузинском языке работы должна быть набрана шрифтом Sylfaen, выполненный на английском и русском языках работы – шрифтом Times New Roman.

г) название работы должно быть набрано шрифтом Sylfaen (18B); имя и фамилия автора – шрифтом Sylfaen (14B); название организации, где выполнена работа, указывается в скобках – шрифтом 13B; резюме работы выполняется курсивным шрифтом 12; ключевые слова – шрифтом 12; текст работы – шрифтом 12; выполненная на русском языке работа – шрифтом 12; после литературы прилагается резюме на английском и русском языках со следующим указанием: название работы, имя и фамилия автора (авторов). Объём резюме не должен превышать 5-15 строк;

2. Работа должна быть представлена на компакт-диске (CD-R) и в одном экземпляре (разборчиво) напечатанной на бумаге формата А4;

3. К работе прилагаются данные об авторе (авторах): научная степень, звание и должность;

4. В журнале публикуются только рецензируемые работы;

5. Редакция согласится напечатать в одном журнале не более трёх статей выполненных одним и тем же автором;

6. Количество листов работы определяется от 5 до 30 страниц;

7. Автор несёт ответственность за содержание и качество работы; Печатается на авторский счет.



ტრანსპორტი და მანქანათმშენებლობა №3 (58) 2023

TRANSPORT AND MACHINEBUILDING №3 (58) 2023

ТРАНСПОРТ И МАШИНОСТРОЕНИЕ №3 (58) 2023

სამეცნიერო-ტექნიკური ჟურნალი  
SCIENTIFIC – TECHNICAL JOURNAL  
НАУЧНО-ТЕХНИЧЕСКИЙ ЖУРНАЛ

გამოდის პერიოდულობით წელიწადში სამჯერ

Published periodically for three times a year

Журнал выходит в год три раза

გამომცემლობა „ტრანსპორტი & მანქანათმშენებლობა“  
Publishing House „TRANSPORT & MACHINEBUILDING“  
Издательство „ТРАНСПОРТ & МАШИНОСТРОЕНИЕ“

ხელმოწერილია დასაბეჭდად 2023წ. 25 დეკემბერი;  
გამოცემის ფორმატი 60X84 1/8; ფიზიკური ნაბეჭდი  
თაბახი 11.25; საბეჭდი ქაღალდი - ოფსეტური №1.  
Signed for printing 25: 12: 2023; Editor size 60X84 1/8; printed  
sheet 11.25; printing paper - Offset N1.  
Подписано к печати 25: 12: 2023г; Формат издания л. 60X84 1/8;  
Физичесих печатных листов 11.25; Печатная бумага - офсетная №1.

